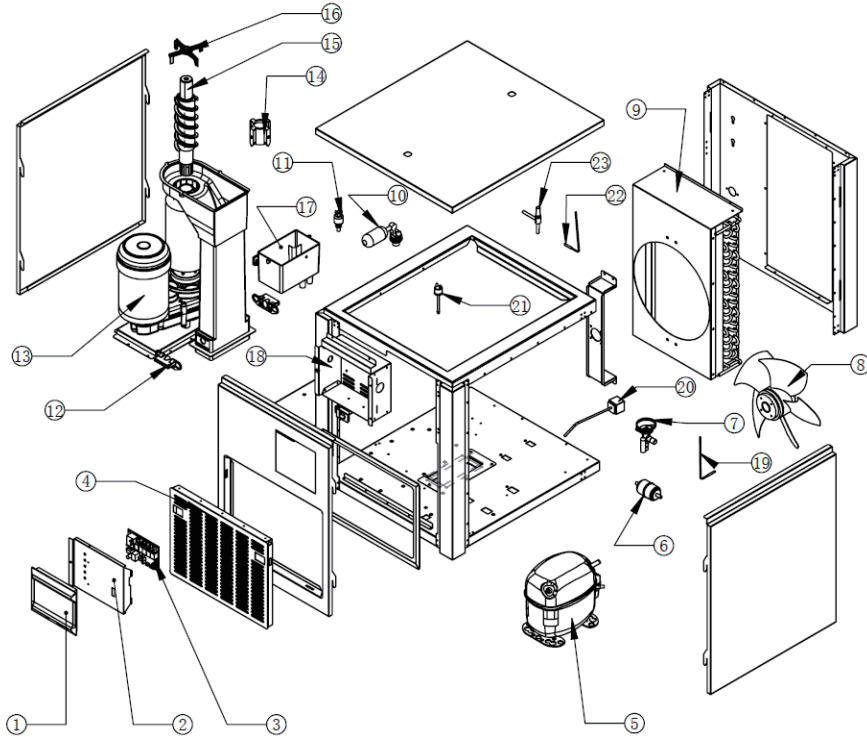


# Exploded view

# SK-258F (220V/50HZ)



Ref	Part No.	Name	Specification
1	08.0.0109-04	Display Board	PD-321B
2	02.2.0067-00	Display Board Fixing Assembly	ZP-T0.7*253.5*183.8mm
3	08.0.0135-00	PC-Board	PC-507
4	02.2.0041-00	Ventilated Window Plate	SUS304-2B-T1*455*385
5	53.0.0071-00	Compressor	Highly SC18CL 230V 50HZ
6	06.5.0020-00	Dryer	032S
7	06.4.0008-00	Expansion Valve	2.8KW R404A
8	06.1.0009-00	Axial Fan	YWF-4E-300B 220VAC 50HZ
9	06.0.0011-00	Condenser -350	Air-Cooled 350A
10	06.6.0020-00	Float Ball Valve	DN15WK-T
11	08.1.0021-00	Water Level Sensor	Electronic
12	08.1.0062-00	Ice Full Sensor	
13	08.7.0054-00	Reducer	SHBM03150 220V 50Hz/60Hz
14	13.2.0002-00	Ice Outlet Mouth -258F	T304
15	07.0.0060-00	Drill	φ68.2*331 304
16	02.2.0074-00	Stainless Steel Ice Blade	SUS304-2B-111.5*111.5*T2mm
17	04.0.0078-00	Water Sink -258	258 M1032
18	02.2.0066-00	Electrical Box -258~458	ZP-T0.7*387*414mm
19	08.1.0030-00	Condensation Sensor	
20	06.4.0004-00	Frosting Valve Coil	220~240VAC Tianhao 50/60Hz 6A 1100mm
21	08.1.0008-00	High Pressure Switch	
22	08.1.0026-00	Evaporation Sensor	
23	06.4.0002-00	Frosting Valve Body	6A