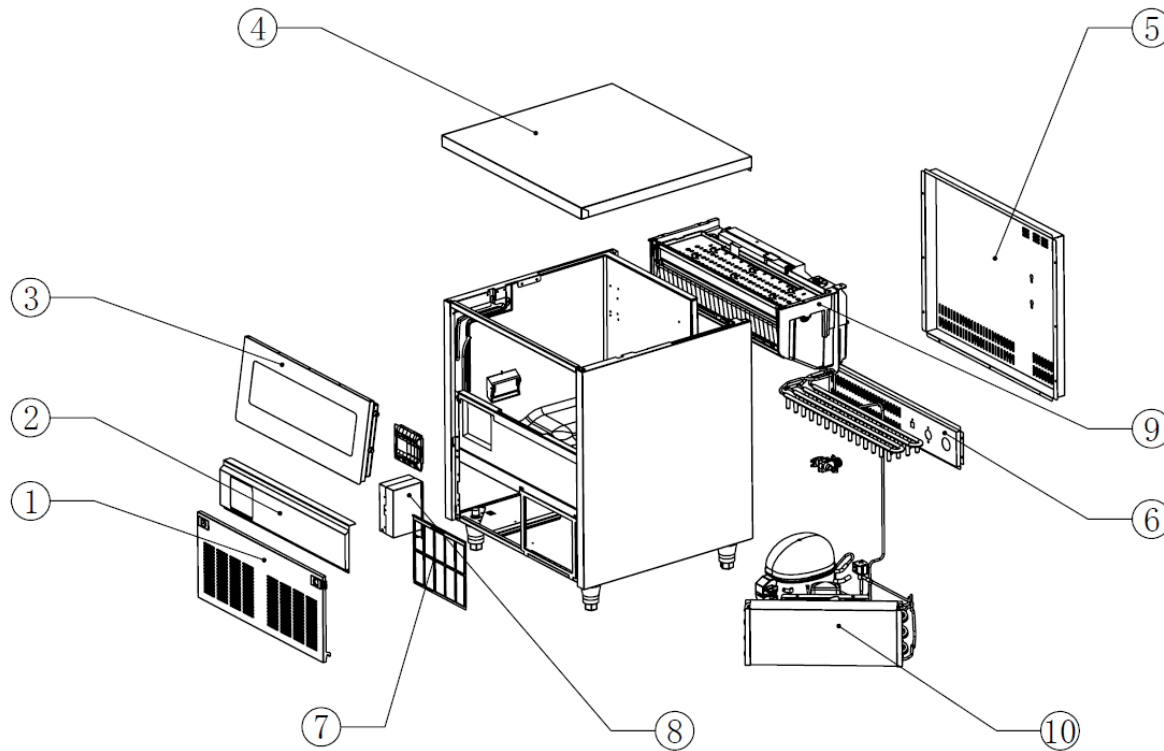


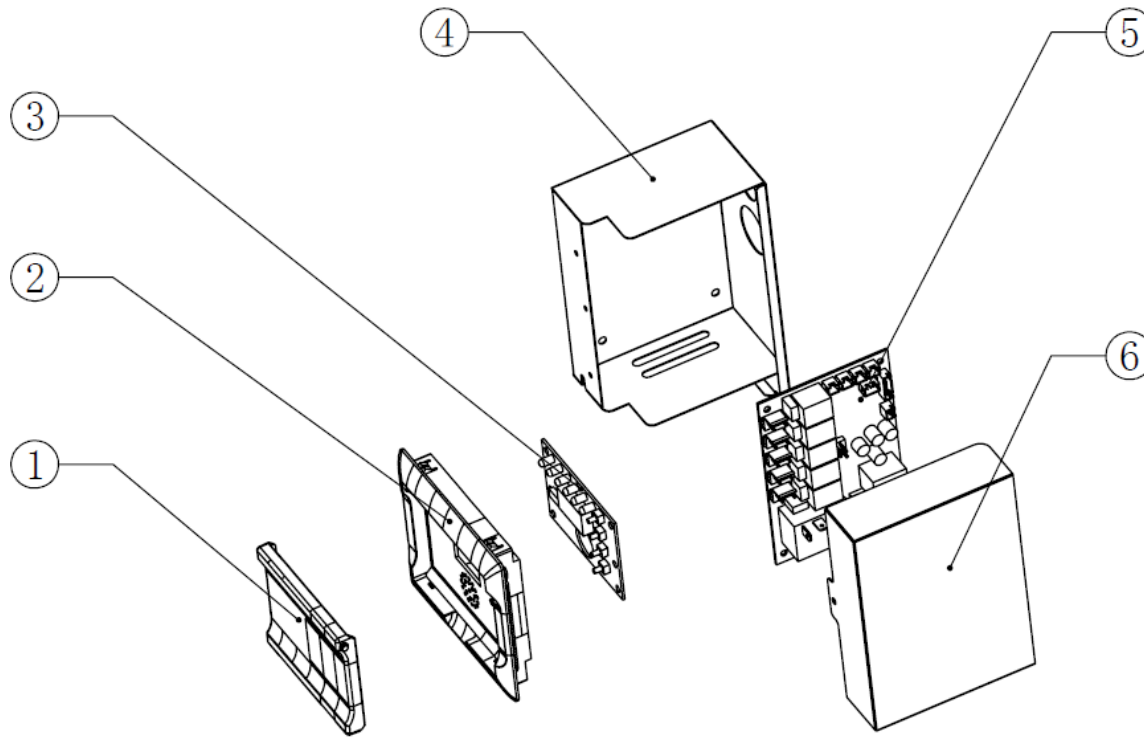
## Structural Assembly



No.	Part No.	Name
1	02.0.0426-00	Front Ventilation Window
2	02.0.0440-00	Front Trim Panel
3	50.0.0115-00	Door Panel
4	50.0.0164-01	Top Cover
5	02.0.0423-00	Back Cover
6	02.0.0444-00	Bracket (Water Inlet & Outlet)
7	04.0.0238-00	Filter
8	/	Electrical System
9	/	Water System
10	/	Refrigeration System

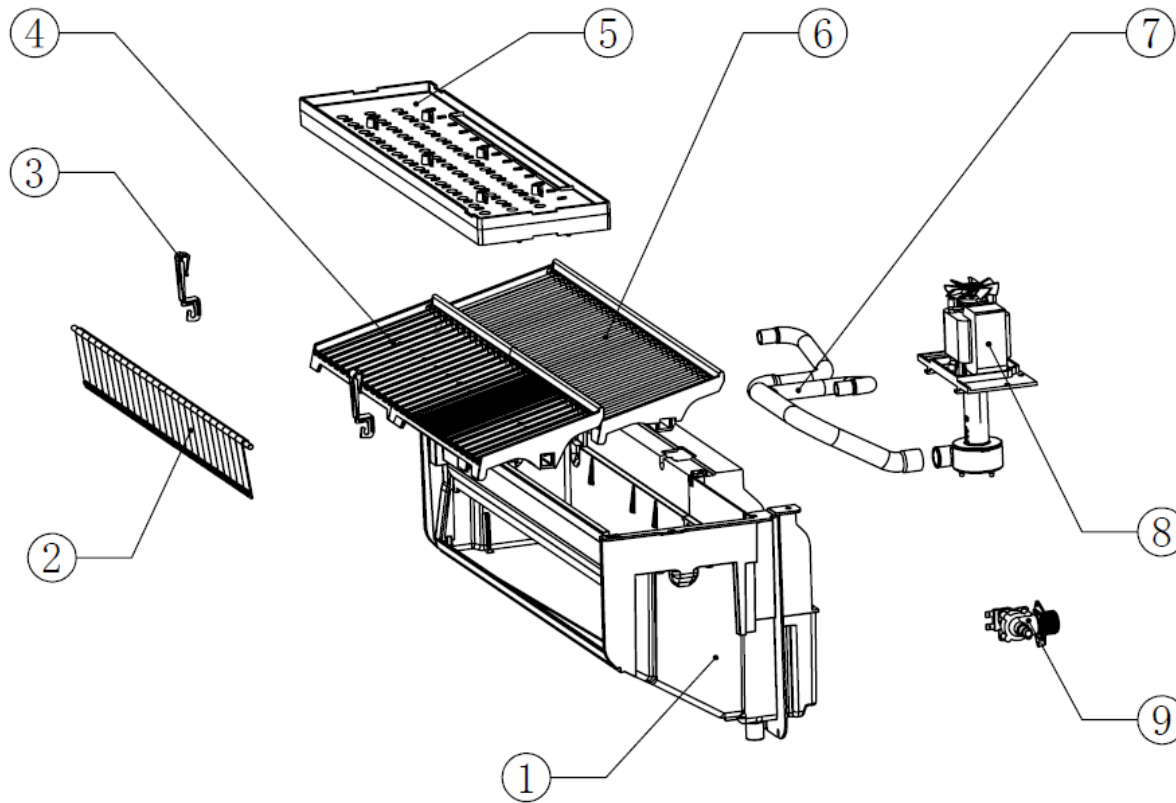
**SK-55C (220V / R290)**

# Electrical System



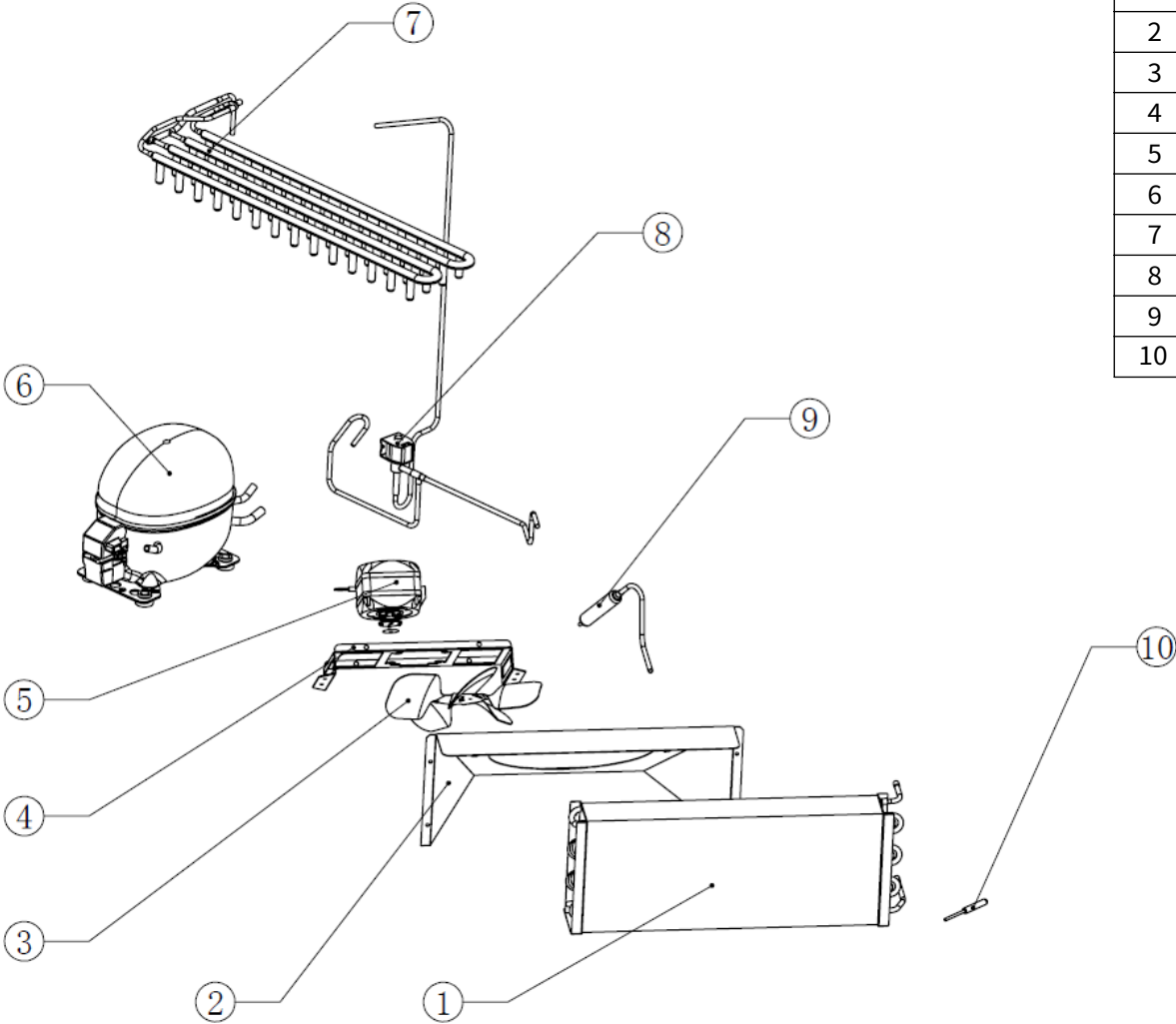
No.	Part No.	Name
1	04.0.0002-00	Control Panel Cover
2	04.0.0001-01	Control Panel Frame
3	08.0.0111-04	Display Panel
4	02.0.0424-00	Electrical Box
5	08.0.0119-00	PC Board
6	02.0.0114-00	Electrical Box Cover

# Water System



No.	Part No.	Name
1	55.0.0046-00	Water Tray Assembly
2	04.0.0252-00	Water Curtain
3	04.0.0146-00	Water Curtain Hook
4	04.0.0147-00	Sprinkler
5	04.7.0014-00	Evaporator Tray
6	04.0.0148-00	Spray Rack
7	03.0.0069-00	Water Supply Pipe
8	55.0.0045-00	Water Pump Assembly
9	06.6.0038-00	Water Inlet Valve

# Refrigeration System



No.	Part No.	Name
1	06.0.0069-00	Condenser
2	02.0.0422-00	Fan Cover
3	06.1.0031-00	Fan Blade
4	02.0.0441-00	Fan Bracket
5	06.1.0020-00	EBMPAPST Fan Motor
6	06.2.0216-00	Compressor NUY90RA
7	06.3.0154-00	Evaporator
8	06.4.0004-00	Solenoid Valve Coil
9	06.5.0045-00	Filter Dryer
10	08.1.0025-00	Condensation Sensor