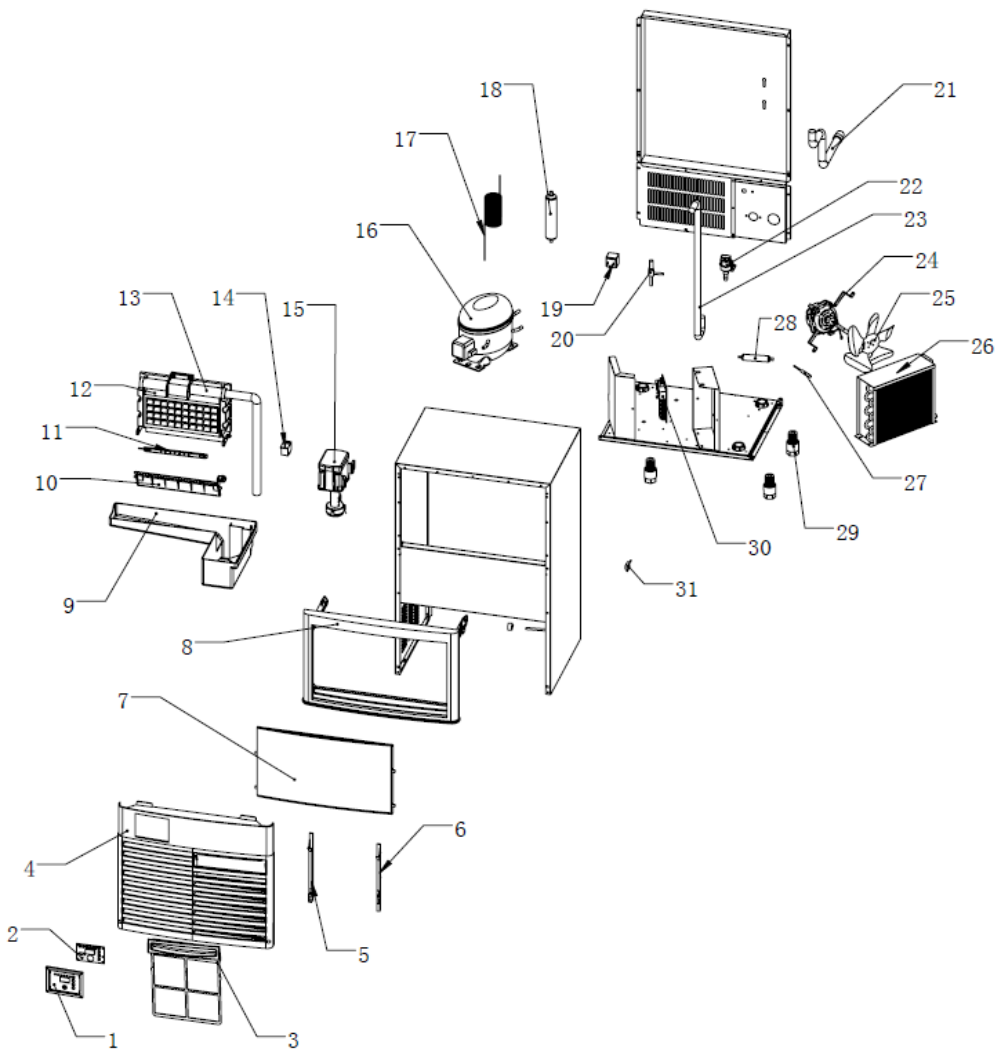


# Exploded view

# 89 (220V/50HZ) R290



Ref	Part No.	Name	Specification
1	54.0.0085-00	Control panel assembly /Vertical ice machine	
2	08.0.0076-03	Display board 66414762-01	with Cleaning button
3	04.0.0015-03	Vent. Window Filter -60/80/100/120	ABS injection molding
4	04.0.0013-03	Front Vent. window -60/80/100/120	ABS injection molding
5	04.0.0186-00	Filter left slot -60/80/100/120	ABS injection molding
6	04.0.0187-00	Filter right slot -60/80/100/120	ABS injection molding
7	52.0.0004-03	Door panel assembly -black gray color	60/80/100/120
8	52.0.0001-03	Door frame assembly -black gray color	60/80/100/120
9	04.0.0026-00	Water sink -80	80 injection molding, overflow, M5001
10	04.0.0047-00	Skating board -31	10 injection molding, M1073
11	08.6.0001-00	Cold light	white 150*11*11 LED 6 lamps
12	06.3.0002-00	Evaporator -31	4 rows * 10 columns
13	51.1.0001-00	Spray pipe assembly	10 columns
14	08.1.0106-00	Ice full sensor	Wire length 1390mm, with silicone sleeve
15	55.0.0012-00	Water pump assembly -60~280	White 220V /50Hz
16	06.2.0204-00	Compressor NUY55RA	220~240V 50Hz R290
17	03.2.0001-00	Capillary pipe -120/160/41/51	TP2M-OD2.4*ID1.05*T*2200mm
18	06.5.0001-00	Gas-liquid separator -80	φ35*180*6.5*8.1
19	06.4.0003-00	Defrost valve coil	220~240VAC Tianhao 50/60HZ 2A 500MM
20	06.4.0001-00	Defrost valve	FDF2A Tianhao 2.1MPa
21	03.0.0042-00	Outside drain	Gray, 1.6m, M26
22	06.6.0018-00	Water inlet valve	220~240V 50/60HZ 180A5
23	03.0.0033-00	Silicone hose	White φ14*φ9.5
24	06.1.0001-00	Fan	YZ5-13 5/33W 220V 50HZ
25	06.1.0004-00	Fan blade	φ172 34°
26	06.0.0001-00	Condenser -31	Air-cooled 40A
27	08.1.0025-00	Condensation sensor	stainless steel probe 1000mm
28	06.5.0004-00	Filter Dryer	φ19*150*3.1*6.5
29	04.0.0166-00	Feet assembly	Short, stainless steel
30	08.0.0142-01	PC board	PC-446
31	08.1.0036-00	LED Light magnetic switch	1800mm