

ONNERA GROUP

DESPIECE TECNICO TECHNICAL PARTS

LAVAVAJILLAS DE APERTURA FRONTAL
FRONT LOADING DISHWASHERS

MODELOS / MODELS

G-OEM-510 B / DD / F / SA / UK

50Hz/60Hz

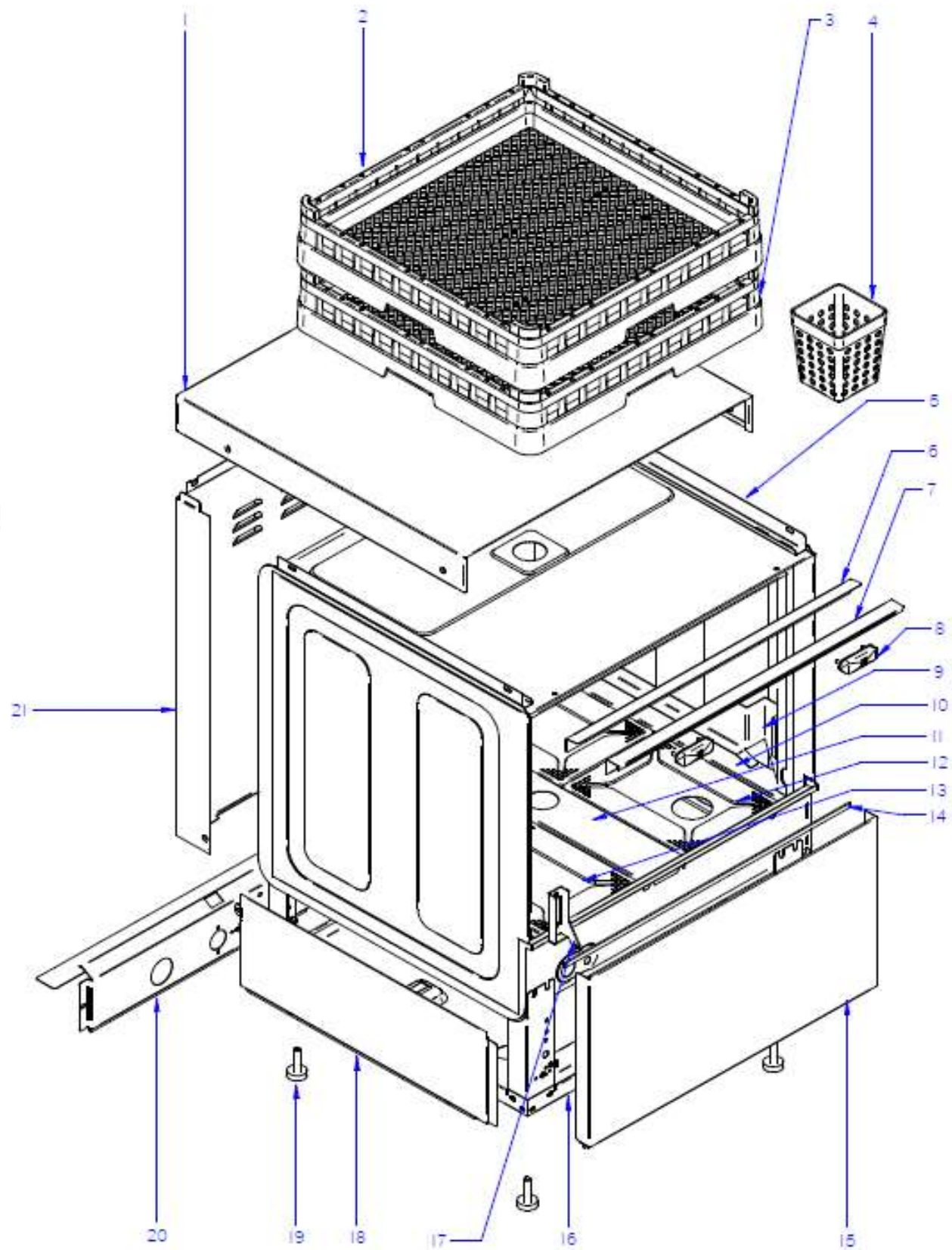
Vers. February 2018
Revised February 2019

MODEL DRAWING RELATION

MODEL	UC_02	UC_03	UC_04	UC_05	UC_06	UC_07	UC_10
	Structure	Door	Wash Functional Part	Gravity Drain	Drain Pump	Rinsing Functional Part	Electric Functional Part
G-OEM-510	X	X	X	X		X	X
G-OEM-510 DD	X	X	X	X		X	X
G-OEM-510 B	X	X	X		X	X	X
G-OEM-510 B DD	X	X	X		X	X	X
G-OEM-510 SA	X	X	X	X		X	X
G-OEM-510 DD SA	X	X	X	X		X	X
G-OEM-510 B SA	X	X	X		X	X	X
G-OEM-510 B DD SA	X	X	X		X	X	X
G-OEM-510 F	X	X	X	X		X	X
G-OEM-510 DD F	X	X	X	X		X	X
G-OEM-510 B F	X	X	X		X	X	X
G-OEM-510 B DD F	X	X	X		X	X	X
G-OEM-510 F SA	X	X	X	X		X	X
G-OEM-510 DD F SA	X	X	X	X		X	X
G-OEM-510 B F SA	X	X	X		X	X	X
G-OEM-510 B DD F SA	X	X	X		X	X	X
G-OEM-510 UK	X	X	X	X		X	X
G-OEM-510 DD UK	X	X	X	X		X	X
G-OEM-510 B UK	X	X	X		X	X	X
G-OEM-510 B DD UK	X	X	X		X	X	X
G-OEM-510 SA UK	X	X	X	X		X	X
G-OEM-510 DD SA UK	X	X	X	X		X	X
G-OEM-510 B SA UK	X	X	X		X	X	X
G-OEM-510 B DD SA UK	X	X	X		X	X	X
G-OEM-510 F UK	X	X	X	X		X	X
G-OEM-510 DD F UK	X	X	X	X		X	X
G-OEM-510 B F UK	X	X	X		X	X	X
G-OEM-510 B DD F UK	X	X	X		X	X	X
G-OEM-510 F SA UK	X	X	X	X		X	X
G-OEM-510 DD F SA UK	X	X	X	X		X	X
G-OEM-510 B F SA UK	X	X	X		X	X	X
G-OEM-510 B DD F SA UK	X	X	X		X	X	X

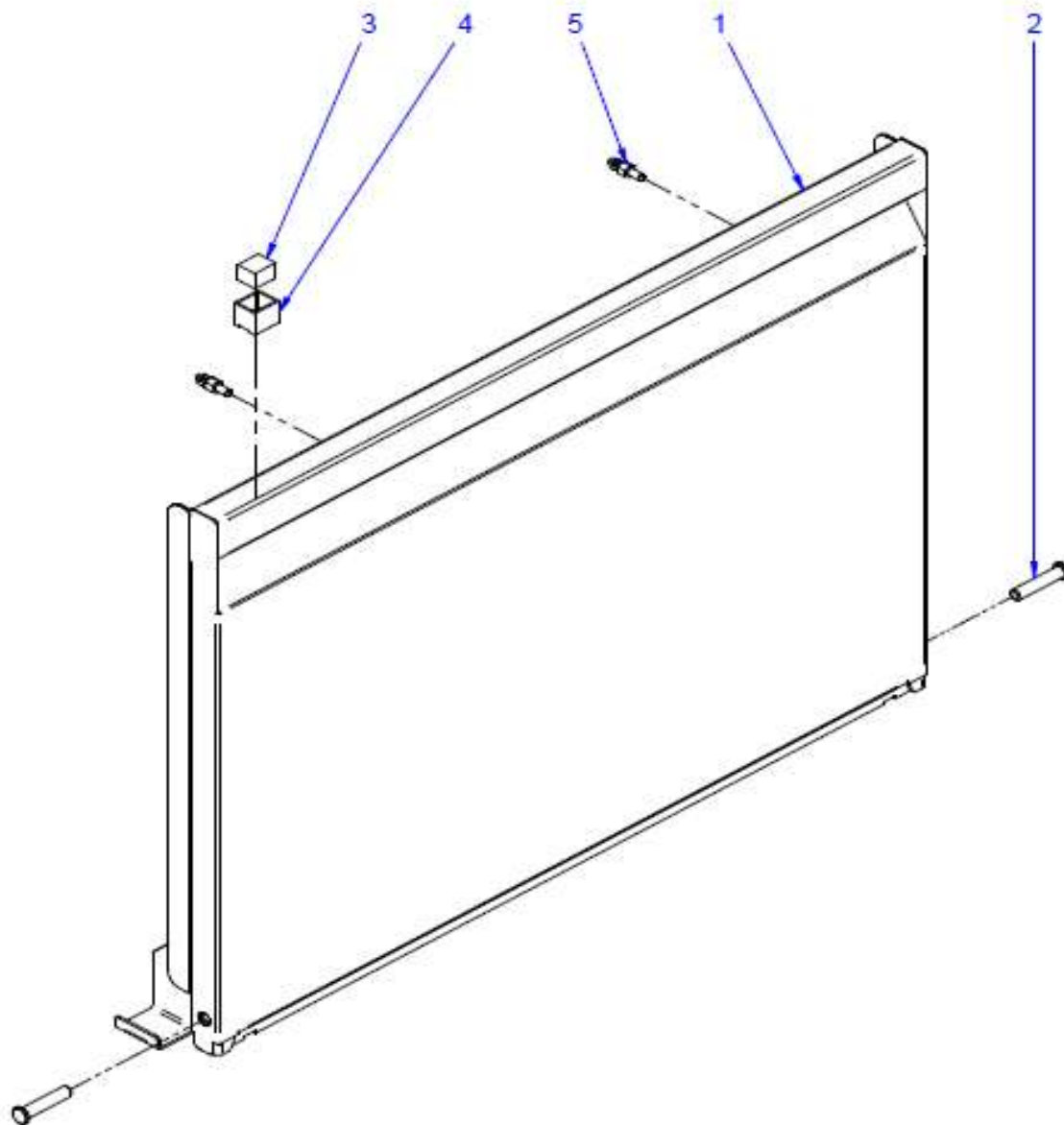
- * Si su modelo no esta en la lista de planos, escoga la descripcion mas cercana
 * If your model does appear in the list of drawings, choose the closest description

OPTIONS	DESCRIPCIÓN	DESCRIPTION
B	Bomba de desagüe	Drain Pump
DD	Dosificador de detergente	Detergent dispenser
SA	Ramas de aclarado en acero inoxidable	Rinsing arms in Stainless Steel
F	Bandejas filtros de acero inoxidable	Stainless steel filter trays
UK	Potencia de cuba y cable modificado para R.U	Modified Tank power and power cord for UK

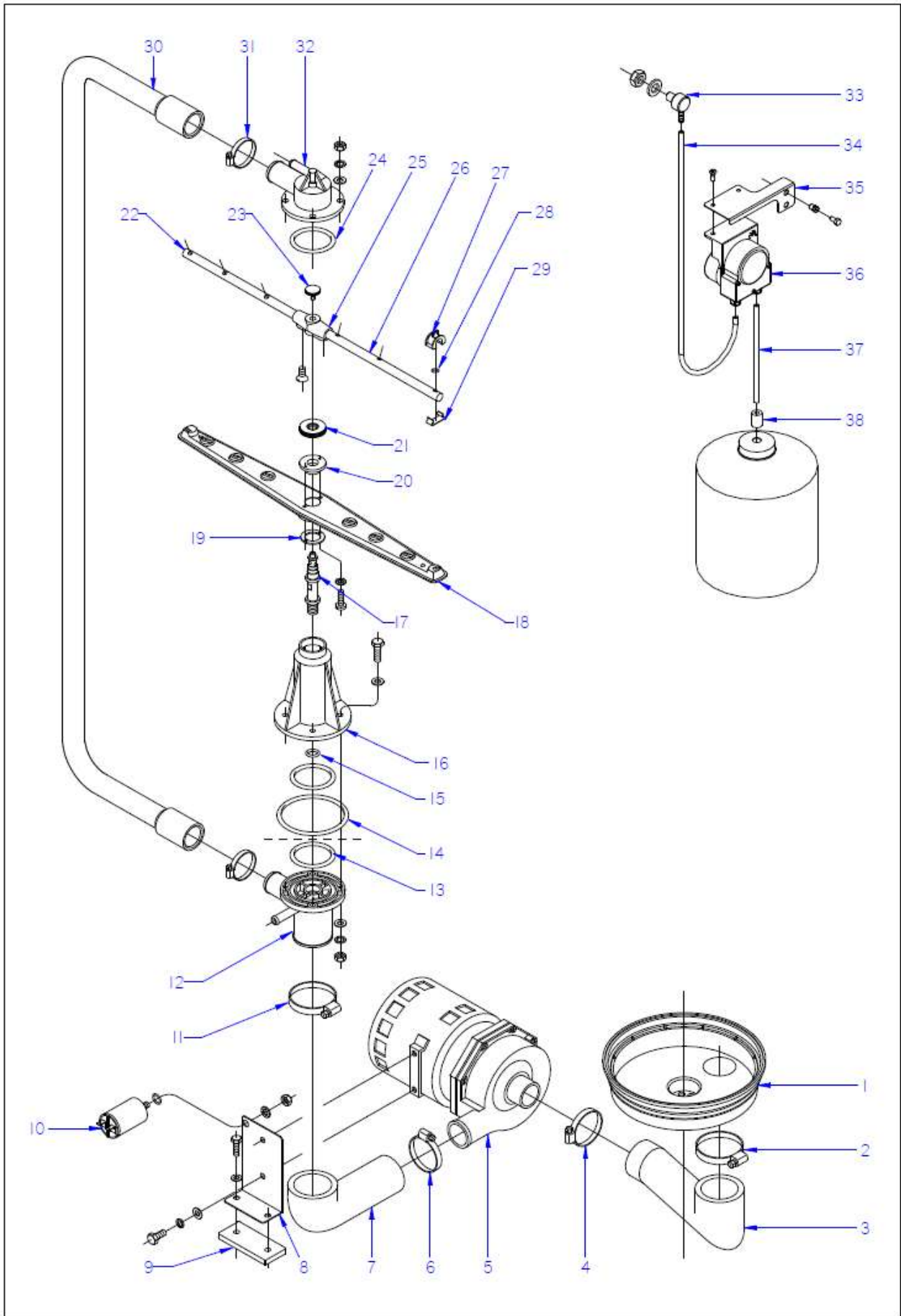


Model / Drawing No.	Client / Signature	Field / Date	Appliance / Appliance	ARMAZON TECH / TECH FRAME	Lamina / Sheet	ONNERA POLAND
UC_01	Filip S.	02/2018	FRONT LOADING DW OEM/500		1	

ZONA / ZONE		ESTRUCTURA / STRUCTURE										LÁMINA / DRAWING										UC_02
ITEM	REFERENCIA REFERENCE	DENOMINACIÓN	DENOMINATION	G-OEM-510	G-OEM-510 DD	G-OEM-510 B	G-OEM-510 B DD	G-OEM-510 F	G-OEM-510 DD F	G-OEM-510 B F	G-OEM-510 B DD F							RECOMMENDED	ELIMINADO ELIMINATED	INTRODUCIDO INTRODUCED	NOTAS NOTES	
1	12170241	TAPA G-OEM-500	G-OEM 500 LID	1	1	1	1	1	1	1	1											
2	12024990	CESTILLO PLATOS CP-16-18	PLATE BASKET CP-16-18	1	1	1	1	1	1	1	1											
3	12023745	CESTILLO CUBIERTOS	CUTLERY BASKET	1	1	1	1	1	1	1	1											
4	12025011	CESTILLO BASE CT-10	BASE BASKET CT-10	1	1	1	1	1	1	1	1											
5	12170248	SOPORTE TAPA G-OEM-500	G-OEM 500 LID REINFORCEMENT	2	2	2	2	2	2	2	2											
6	12024374	PERFIL CAJA	BOX PROFILE	1	1	1	1	1	1	1	1											
7	12022469	ESCUADRA SUJECCION PERFIL	FASTENING BRACKET PROFILE	1	1	1	1	1	1	1	1											
8	12003212	CONJUNTO CIERRE PUERTA	LOCK CLOSING DEVICE	2	2	2	2	2	2	2	2											
9	12170251	GUIA CESTILLO DERECHO	RIGHT BASKET GUIDE	1	1	1	1	1	1	1	1											
S/Nº	12170230	GUIA CESTILLO IZQUIERDO	LEFT BASKET GUIDE	1	1	1	1	1	1	1	1											
10	12022458	SOPORTE DERECHO BANDEJAS	RIGHT TRAY SUPPORT	-	-	-	-	1	1	1	1											
S/Nº	12022459	SOPORTE IZDO. BANDEJAS	LEFT TRAY SUPPORT	-	-	-	-	1	1	1	1											
11	12022518	SOPORTE CENTRAL BANDEJAS	TRAY SUPPORT CENTRAL	-	-	-	-	1	1	1	1											
12	12131729	BANDEJA FILTRO DESAGÜE	DRAIN FILTER TRAY	-	-	-	-	1	1	1	1											
13	12022559	BANDEJA FILTRO	FILTER TRAY	-	-	-	-	3	3	3	3											
14	12154932	PERFIL PROTECCION GOMA	TANK PROTECTOR GASKET	1	1	1	1	1	1	1	1											
15	12022724	PANEL FRONTAL SIN PUERTA	FRONT PANEL WITHOUT DOOR	1	1	1	1	1	1	1	1											
16	12003593	ARMAZON COMPLETO	COMPLETE FRAME	1	1	1	1	1	1	1	1											
17	12170261	BISAGRA IZQUIERDA UC-500	UC- LEFT HINGE	1	1	1	1	1	1	1	1											
S/Nº	12170242	BISAGRA DERECHA UC-500	UC- RIGHT HINGE	1	1	1	1	1	1	1	1											
18	12022560	PANEL LATERAL IZQUIERDO	LEFT SIDE PANEL	1	1	1	1	1	1	1	1											
S/Nº	12022563	PANEL LATERAL DERECHO	RIGHT SIDE PANEL	1	1	1	1	1	1	1	1											
19	12024163	PATA REGULABLE	ADJUSTABLE LEG	4	4	4	4	4	4	4	4											
20	12022395	PANEL POSTERIOR INFERIOR	REAR LOWER PANEL	1	1	1	1	1	1	1	1											
21	12170232	PANEL POSTERIOR G-OEM-500	BACK PANEL G-OEM-500	1	1	1	1	1	1	1	1											



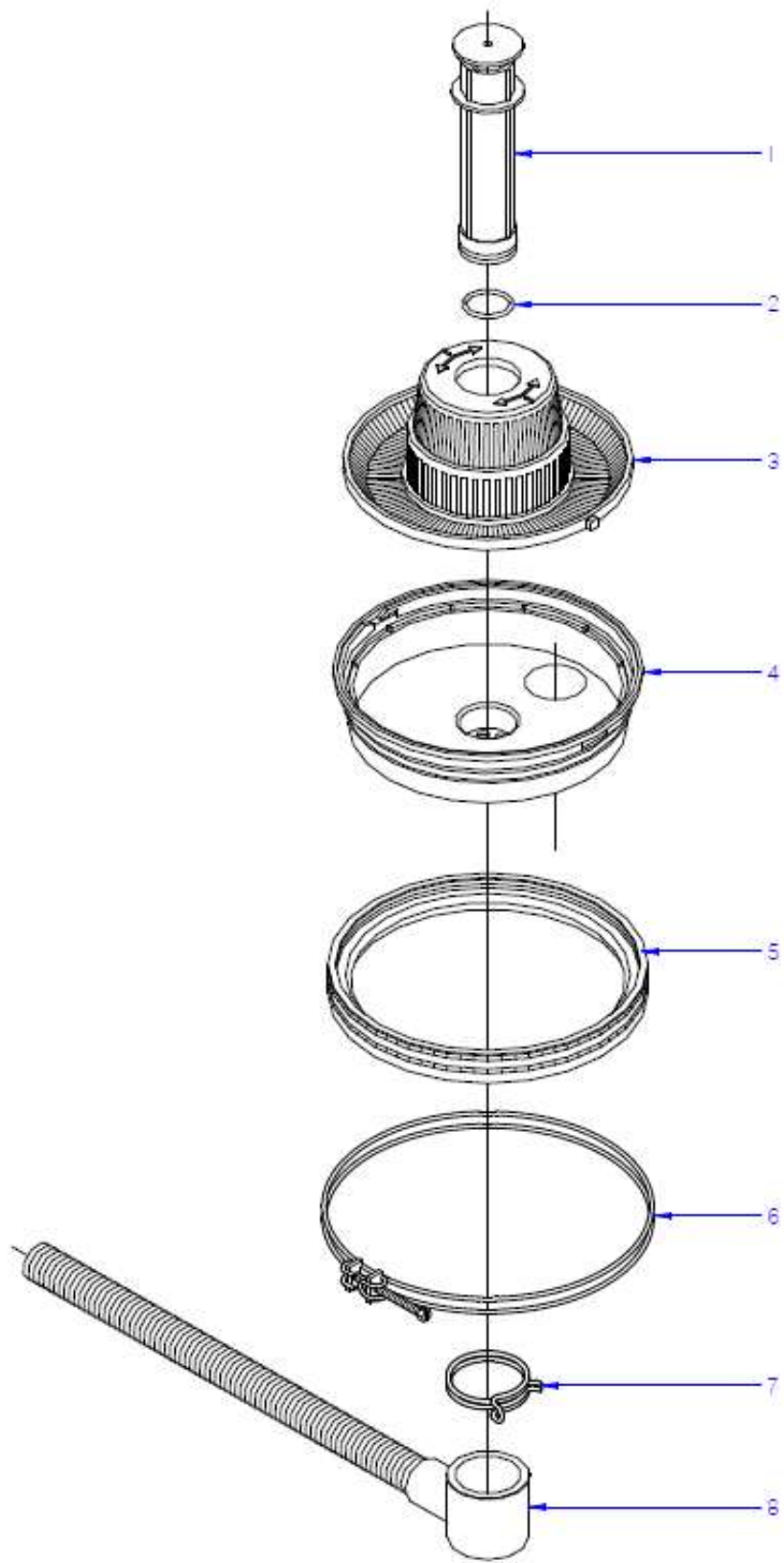
N. plano / Drawing N.	Firma / Signature	Fecha / Date	Apósito / Appliance	ARMAZÓN / FRAME	Lamina / Sheet	ONNERA POLAND
UC_03	Filip S.	02/2019		UC TECH	1	



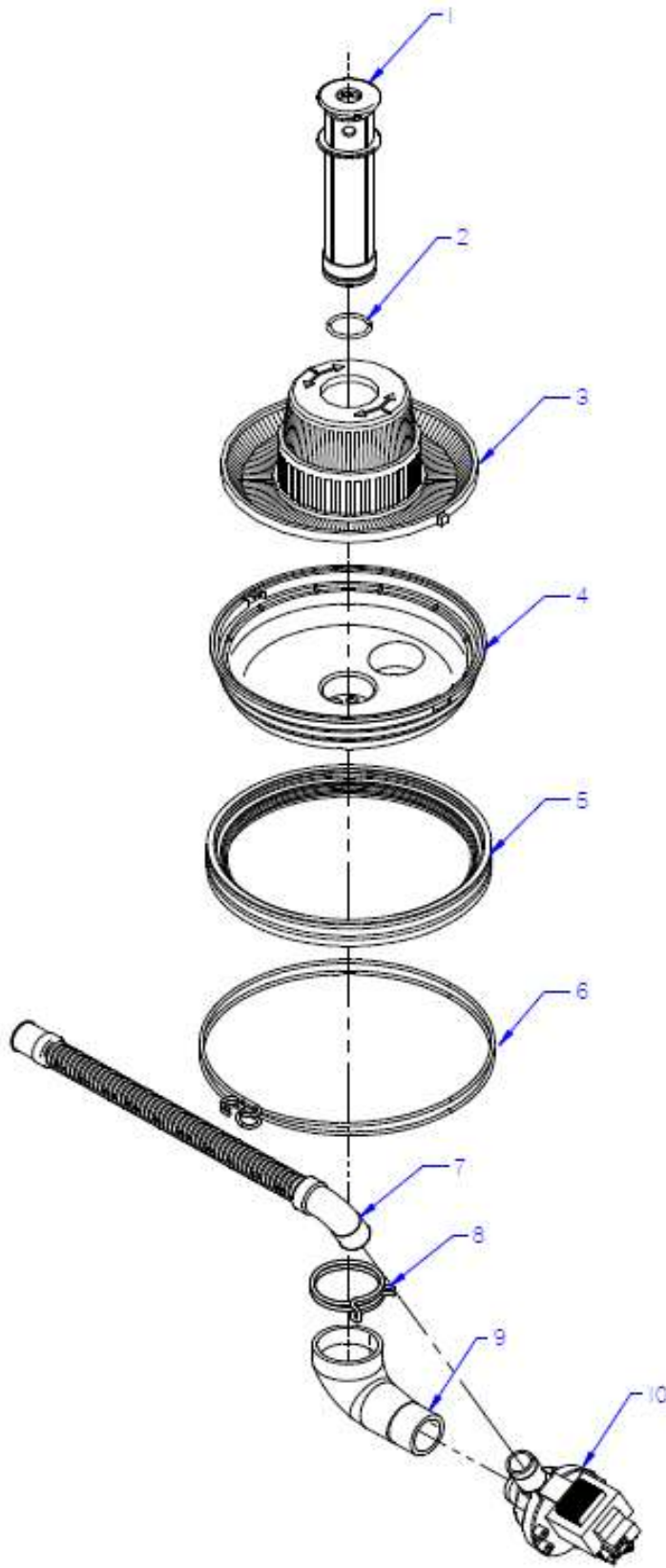
Drawing No.	Signature	Date	Device	WASH FUNCTIONAL PART	Sheet
UC_04	Aitor U.	02-2018	FRONT LOADING DW OEM-500		4

ONNERA GROUP

ZONA / ZONE		WASHING FUNCTIONAL PART										LÁMINA / DRAWING										UC_04
ITEM	REFERENCIA REFERENCE	DENOMINACIÓN	DENOMINATION	G-OEM-510	G-OEM-510 DD	G-OEM-510 B	G-OEM-510 B DD	G-OEM-510 SA	G-OEM-510 DD SA	G-OEM-510 B SA	G-OEM-510 B DD SA							RECOMMENDED	ELIMINADO ELIMINATED	INTRODUCIDO INTRODUCED	NOTAS NOTES	
1	12024367	CUBETA	TRAY	1	1	1	1	1	1	1	1											
2	12009933	ABRAZADERA 50-70L	CLAMP 50-70L	1	1	1	1	1	1	1	1											
3	12023683	CODO ASPIRACION 1003018	EXTRACTOR ELBOW 1003018	1	1	1	1	1	1	1	1											
4	12009962	ABRAZADERA 40-60	CLAMP 40-60	1	1	1	1	1	1	1	1											
5	12043287	BOMBA DE LAVADO 50Hz	WASH PUMP 50Hz	1	1	1	1	1	1	1	1							X				
5	12102834	BOMBA DE LAVADO 60Hz	WASH PUMP 60Hz	1	1	1	1	1	1	1	1							X				
6	12009962	ABRAZADERA 40-60	CLAMP 40-60	1	1	1	1	1	1	1	1											
7	12023689	CODO IMPULSION 1003017	IMPULSE ELBOW 1003017	1	1	1	1	1	1	1	1											
8	12022393	SOPORTE MOTOBO.F-3-4-5-6	MOTORPUMP SUPPORT F-3-4-5-6	1	1	1	1	1	1	1	1											
9	12023556	BASE BOMBA LAVADO 1003016	WASH PUMP BASE 1003016	1	1	1	1	1	1	1	1											
10	12024376	CONDENSADOR 10 M.F.	CONDENSER 10 M.F.	1	1	1	1	1	1	1	1											
11	12009933	ABRAZADERA 50-70L	CLAMP 50-70L	1	1	1	1	1	1	1	1											
12	12023613	PASAMUROS	BUSHING	1	1	1	1	1	1	1	1											
13	12010079	JUNTA TOR.50.17X60.83X5.3	O-RING 50.17X60.83X5.3	1	1	1	1	1	1	1	1											
14	12009976	JUNTA TOR.85.09X95.75X5.3	O-RING 85.09X95.75X5.3	2	2	2	2	2	2	2	2											
15	12009837	JUNTA TOR.13.94X19.18X2.6	O-RING 13.94X19.18X2.6	1	1	1	1	1	1	1	1											
16	12024480	SOPORTE DISTRIBUID. INFERIOR	LOWER DISTRIBUTOR SUPPORT	1	1	1	1	1	1	1	1											
17	12023844	EJE CENTRAL	CENTRAL SHAFT	2	2	2	2	2	2	2	2											
18	12025122	DISTRIBUIDOR MONTADO	DISTRIBUTOR MOUNTED	2	2	2	2	2	2	2	2											
19	12024289	AMARRE ENGANCHE DISTRIBUID.	DISTRIBUTOR HOOK	2	2	2	2	2	2	2	2											
20	12110631	ENGANCHE DISTRIBUIDOR	MOTORPUMP SUPPORT F-3-4-5-6	2	2	2	2	2	2	2	2											
21	12024375	TUERCA ESPECIAL M.14X1	SPECIAL NUT M.14X1	2	2	2	2	2	2	2	2											
22	12023524	RAMA DE ACLARADO IZQUIERDA	LEFT RINSE BRANCH	2	2	2	2	-	-	-	-											
22	12113595	RAMA DE ACLARADO IZQUIERDA SS	LEFT RINSE BRANCH SS	-	-	-	-	2	2	2	2											
23	12009829	TORNILLO ESPECIAL M.5X0.8	SPECIAL BOLT M.5X0.8	2	2	2	2	2	2	2	2											
24	12010079	JUNTA TOR.50.17X60.83X5.3	O-RING 50.17X60.83X5.3	1	1	1	1	1	1	1	1											
25	12024470	SOPORTE RAMAS ACLARADO	RINSE BRANCH SUPPORT	2	2	2	2	2	2	2	2											
26	12023527	RAMA DE ACLARADO DERECHA	RIGHT RINSE BRANCH	2	2	2	2	-	-	-	-											
26	12113596	RAMA DE ACLARADO DERECHA SS	RIGHT RINSE BRANCH SS	-	-	-	-	2	2	2	2											
27	12024077	TOBERA ACLARADO	RINSE NOZZLE	12	12	12	12	-	-	-	-											



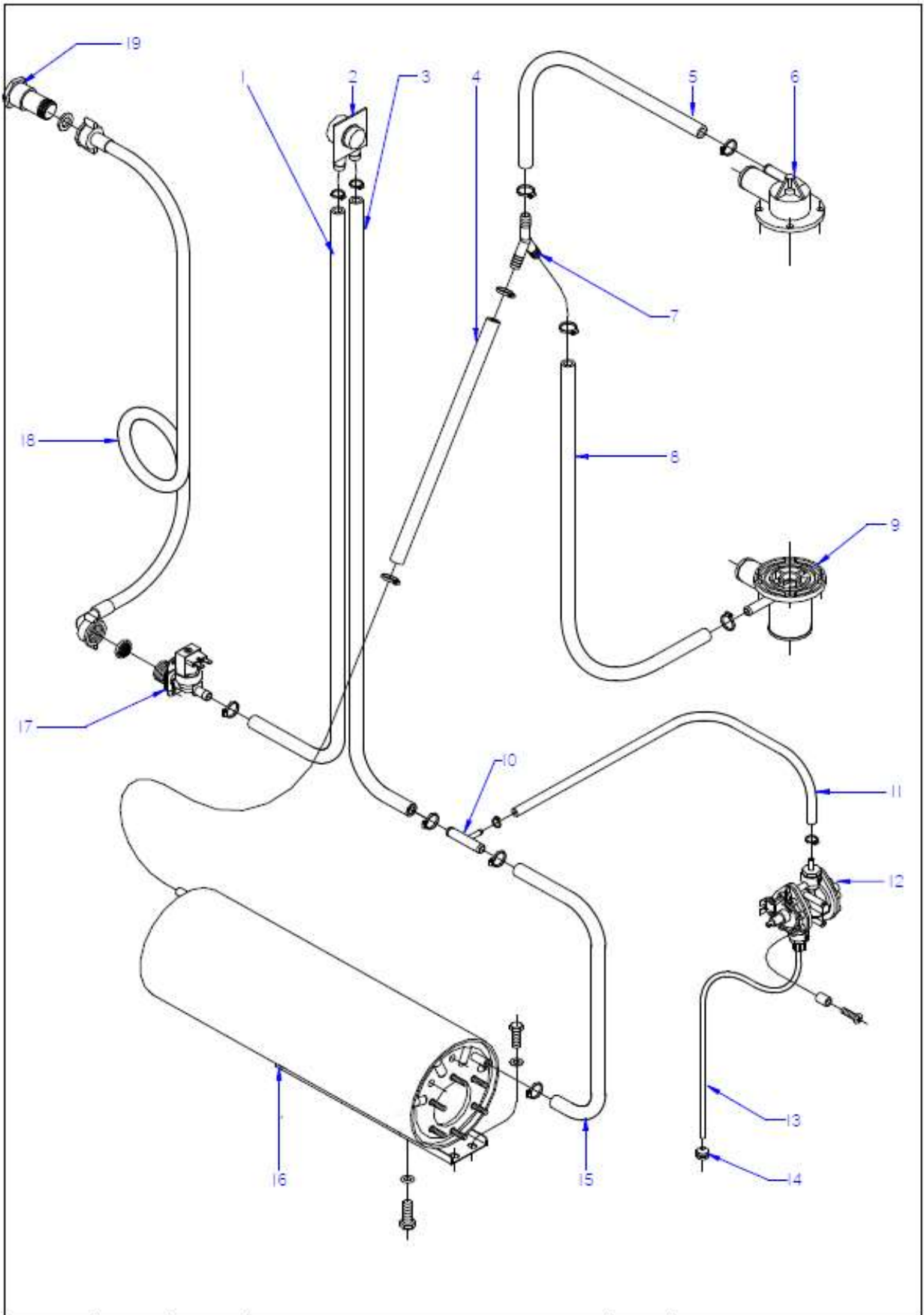
Drawing No.	Signature	Date	Device	GRAVITY DRAINAGE FUNCTIONAL PART	Sheet	ONNERA GROUP
UC_05	Aitor U.	02-2018	FRONT LOADING DW OEM-500		5	



Drawing No.	Signature	Date	Device	DRAIN PUMP DRAINAGE FUNCTIONAL PART	Sheet
UC_06	Aitor U.	02-2018	FRONT LOADING DW OEM-500		6

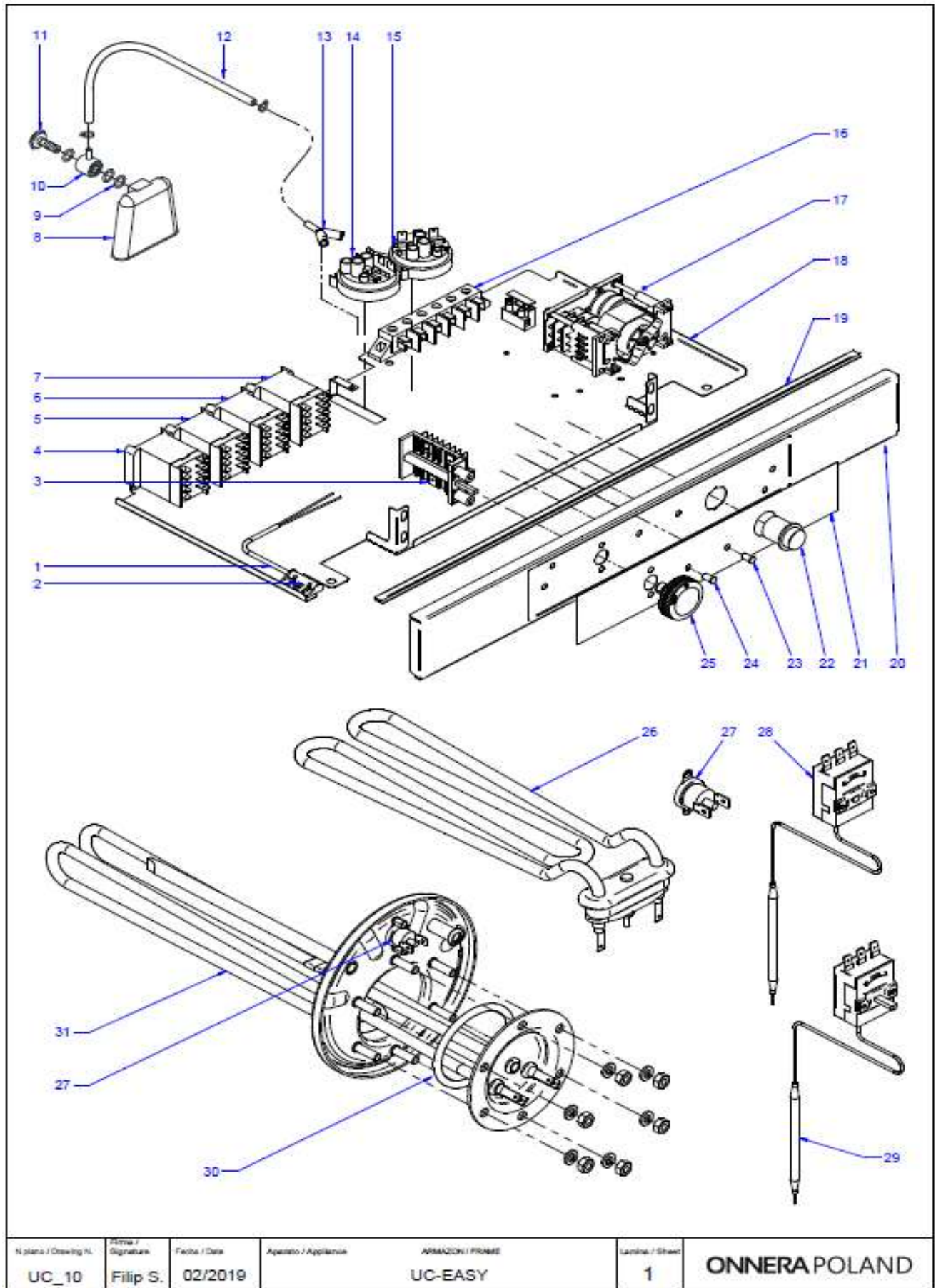
ONNERA GROUP

ZONA / ZONE		DRAIN PUMP DRAINAGE FUNCTIONAL PART							LÁMINA / DRAWING													UC_06	
ITEM	REFERENCIA REFERENCE	DENOMINACIÓN	DENOMINATION	G-OEM-510 B	G-OEM-510 B SA	G-OEM-510 B DD	G-OEM-510 B DD SA											RECOMMENED	ELIMINADO ELIMINATED	INTRODUCIDO INTRODUCED	NOTAS NOTES		
1	12153290	ALIVIADERO UC-500 MOD.B	OVERFLOW CORK UC-500 MOD. B	1	1	1	1																
2	12010165	JUNTA TOR.36.17X41.41X2.6	O-RING 36.17X41.41X2.6	1	1	1	1																
3	12024410	CONJUNTO FILTRO AF.	FILTER AF.	1	1	1	1																
4	12024367	CUBETA	TRAY	1	1	1	1																
5	12024556	JUNTA CUBETA	TRAY SEAL	1	1	1	1																
6	12023841	ABRAZADERA CUBETA COMPL.	TRAY CLAMP	1	1	1	1																
7	12023666	MANGUERA DESAGUE	DRAINAGE HOSE	1	1	1	1																
8	12007966	ABRAZAD. ELAST. 56-58.8	ELASTIC CLAMP 56-58.8	1	1	1	1																
9	12091075	CONDUCTO ASPIRACION BOMBA	PUMP VACUUM PIPE	1	1	1	1																
10	12094265	MOTOBOMBA 37 kw 50/60Hz	MOTOR PUMP 37KW 50/60Hz	1	1	1	1										X						



Drawing No.	Signature	Date	Device	BRISQING FUNCTIONAL PART	Sheet	ONNERA GROUP
UC_07	Aitor U.	02-2018	FRONT LOADING DW OEM-500		7	

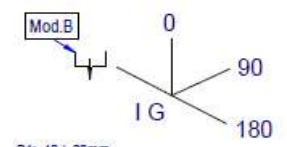
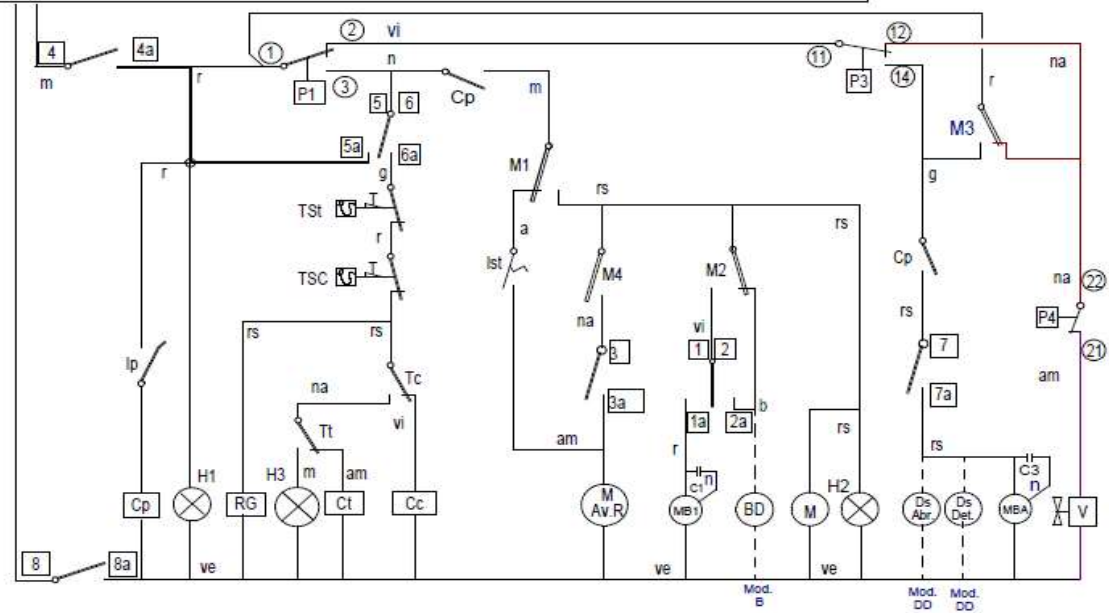
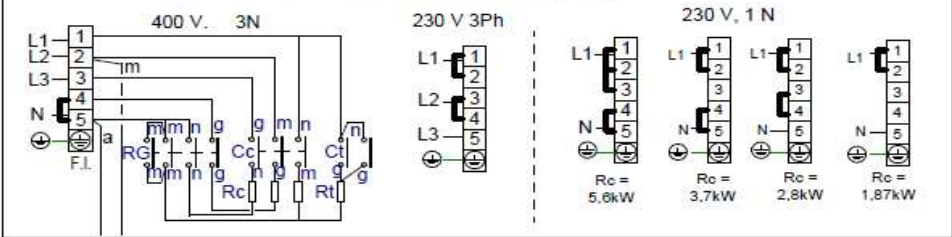
ZONA / ZONE		PARTE FUNCIONAL ACLARADO / RINSING FUNCTIONAL PART												LÁMINA / DRAWING							UC_07		
ITEM	REFERENCIA REFERENCE	DENOMINACIÓN	DENOMINATION	G-OEM-510	G-OEM-510 DD	G-OEM-510 B	G-OEM-510 B DD	G-OEM-510 SA	G-OEM-510 DD SA	G-OEM-510 B SA	G-OEM-510 B DD SA									RECOMMENDED	ELIMINADO ELIMINATED	INTRODUCIDO INTRODUCED	NOTAS NOTES
1	12153568	CONDUCTO EV-ANTIRETORNO	EV - ANTIRETURN VALVE HOSE	1	1	1	1	1	1	1	1	1											
2	12024568	VALVULA ANTIRRETORNO	NON-RETURN VALVE	1	1	1	1	1	1	1	1	1											
3	12153570	CONDUCTO ANTIRETORNO-T	NON-RETURN - T FITTING HOSE	1	1	1	1	1	1	1	1	1											
4	12153571	CONDUCTO CALDERIN Y	BOILER - Y RACORD HOSE	1	1	1	1	1	1	1	1	1											
5	12153573	CONDUCTO ACLARADO SUPERIOR	UPPER RINSE HOSE	1	1	1	1	1	1	1	1	1											
6	12024471	SOPORTE DISTRIB. SUPERIOR	UPPER DISTRIB. SUPPORT	1	1	1	1	1	1	1	1	1											
7	12023511	RACORD EN Y	Y CONNECTION	1	1	1	1	1	1	1	1	1											
8	12153572	CONDUCTO ACLARADO INFERIOR	LOWER RINSE HOSE UC-500	2	2	2	2	2	2	2	2	2											
9	12023613	PASAMUROS	FEEDTHROUGH	1	1	1	1	1	1	1	1	1											
S/Nº	12041731	ABRAZADERA 12-20	CLAMP 12/20	12	12	12	12	12	12	12	12	12											
10	12025288	TOMA PRESION	PRESSURE INTAKE	1	1	1	1	1	1	1	1	1											
11	12153565	CONDUCTO SALIDA ABRILLANTA.	RINSE OUTLET HOSE	1	1	1	1	1	1	1	1	1											
S/Nº	12010047	ABRAZADERA 8-14L	CLAMP 8-14L	2	2	2	2	2	2	2	2	2											
12	121330010	DOSIFICADOR_ABRILLANTADOR_AQUA	RINSE AID DISPENSER	1	1	1	1	1	1	1	1	1								X			
13	12092499	CONDUCTO ABRILLANTADOR	POLISH DUCT	1	1	1	1	1	1	1	1	1											
14	12024353	PESO FILTRO	FILTER WEIGHT	1	1	1	1	1	1	1	1	1											
15	12153569	CONDUCTO T - CALDERIN	T FITTING - BOILER HOSE	1	1	1	1	1	1	1	1	1											
16	12022943	CALDERIN COMPLETO	COMPL. BOILER	1	1	1	1	1	1	1	1	1											
17	12025161	ELECTR. SIMP.220V COD.255.208	SIMPLE SOLENOID VALVE	1	1	1	1	1	1	1	1	1								X			
18	12024115	MANGUERA ENTRADA AGUA	WATER INTAKE HOSE	1	1	1	1	1	1	1	1	1											
18	12115397	MANGUERA ENTR. WATERMARK	WATERMARK INTAKE HOSE	1	1	1	1	1	1	1	1	1											
19	12115508	VALVULA ANTIRR. WATERMARK	NON-RET. VALVE WATERMARK	1	1	1	1	1	1	1	1	1											
19	12115508	VALVULA ANTIRR. WATERMARK	NON-RET. VALVE WATERMARK	1	1	1	1	1	1	1	1	1											



N. plano / Drawing N.	Firma / Signature	Fecha / Date	Apuesto / Appliances	ARMAZON / FRAME	Lamina / Sheet	ONNERA POLAND
UC_10	Filip S.	02/2019		UC-EASY	1	

ZONA / ZONE		PARTE FUNCIONAL ELECTRICA / ELECTRIC FUNCTIONAL PART										LÁMINA / DRAWING						UC_10	
ITEM	REFERENCIA REFERENCE	DENOMINACIÓN	DENOMINATION	G-OEM-510	G-OEM-510 DD	G-OEM-510 B	G-OEM-510 B DD	G-OEM-510 UK	G-OEM-510 DD UK	G-OEM-510 B UK	G-OEM-510 B DD UK					RECOMMENDED	ELIMINADO ELIMINATED	INTRODUCIDO INTRODUCED	NOTAS NOTES
1	12024477	INTERRUPTOR MAGNETICO	MAGNETIC SWITCH	1	1	1	1	1	1	1	1								
2	12024066	AMARRE INTERRUPT. MAGNETICO	MAGNETIC SWITCH FASTENER	1	1	1	1	1	1	1	1								
3	12024445	CONMUTADOR DE FUNCIONES	FUNCTIONS SWITCH	1	1	1	1	1	1	1	1								
S/Nº	12024067	CASQUILLO	BUSHING	2	2	2	2	2	2	2	2								
4	12023706	RELE 230V. 16A 50-60 HZ	RELAY 230V. 16A 50-60 HZ	1	1	1	1	1	1	1	1					X			
5	12024011	CONTACTOR 230 V. 50-60 HZ 16A	CONTACTOR 230 V 50-60HZ 16A	1	1	1	1	1	1	1	1					X			
6	12024011	CONTACTOR 230 V. 50-60 HZ 16A	CONTACTOR 230 V 50-60HZ 16A	1	1	1	1	1	1	1	1					X			
7	12024011	CONTACTOR 230 V. 50-60 HZ 16A	CONTACTOR 230 V 50-60HZ 16A	1	1	1	1	1	1	1	1					X			
8	12024350	CAMARA PRESOSTATO	PRESSURE SWITCH	1	1	1	1	1	1	1	1								
9	12009873	JUNTA TORICA 16.01X10.77X2.62	O-RING 16.01X10.77X2.62	3	3	3	3	3	3	3	3								
10	12024157	EMPALME PRESOSTATO	PRESSURE SWITCH CONNEX	1	1	1	1	1	1	1	1								
11	12024222	TORNILLO PRESOSTATO	PRESSURE SWITCH BOLT	1	1	1	1	1	1	1	1								
12	12153585	CONDUCTO PRESOSTATO	PRESOSTAT HOSE	1	1	1	1	1	1	1	1								
S/Nº	12023707	BRIDA ELASTICA TUBO	ELASTIC PIPE FLANGE	2	2	2	2	2	2	2	2								
13	12023510	RACORD EN Y	Y-CONNECTION	-	-	-	-	-	-	-	-								
14	12023802	PRESOSTATO SIMPLE 2-4 bar	2-4 bar SIMPLE PRESOSTAT	1	1	1	1	1	1	1	1					X			
15	12023805	PRESOSTATO SIMPLE 7,5-9,5bar	7,5-9,5bar SIMPLE PRESOSTAT	-	-	-	-	-	-	-	-					X			
16	12024382	REGLETA AUXILIAR 3 CONEXIONES	3 WAY ELECTRIC CONNECTOR	1	1	1	1	1	1	1	1								
17	12024177	PROGRAMADOR CICLO 50Hz	CYCLE PROGRAMMER 50Hz	1	1	1	1	1	1	1	1					X			
17	12024179	PROGRAMADOR CICLO 60Hz	CYCLE PROGRAMMER 60 Hz	1	1	1	1	1	1	1	1					X			
18	12170235	BASE COMPONENTES ELÉCTRICOS	ELECTRIC COMPONENT BASE	1	1	1	1	1	1	1	1								
19	12183263	BURLETE SELLADO TAPA	UC-500 LID SEALING PROFILE	1	1	1	1	1	1	1	1								
20	*	PANEL DE CONTROL	CONTROL PANEL	1	1	1	1	1	1	1	1								Check Optionals
21	*	EMBELLECEDOR G-OEM 500	G-OEM-500 STICKER	1	1	1	1	1	1	1	1								Check Optionals
22	12169232	PULSADOR ARRANQUE PROGRAM.	PROGRAM START BUTTON	1	1	1	1	1	1	1	1					X			
23	12169231	PILOTO LED VERDE	GREEN LED LIGHT	1	1	1	1	1	1	1	1					X			
24	12169230	PILOTO LED AZUL	BLUE LED LIGHT	1	1	1	1	1	1	1	1					X			
25	12170489	BOTON DE MANDO G-OEM 510	G-OEM-510 CONTROL KNOB	1	1	-	-	1	1	-	-								
25	12170490	BOTON DE MANDO G-OEM-510 B	G-OEM-510 B KNOB	-	-	1	1	-	-	1	1								
S/Nº	12024516	BURLETE MANDO	SWITCH JOINT	1	1	1	1	1	1	1	1								

EASY 500 HP W, B, DD



P1: 40 / 20mm
 P3: 155 / 40mm
 P4: 165 / 95mm

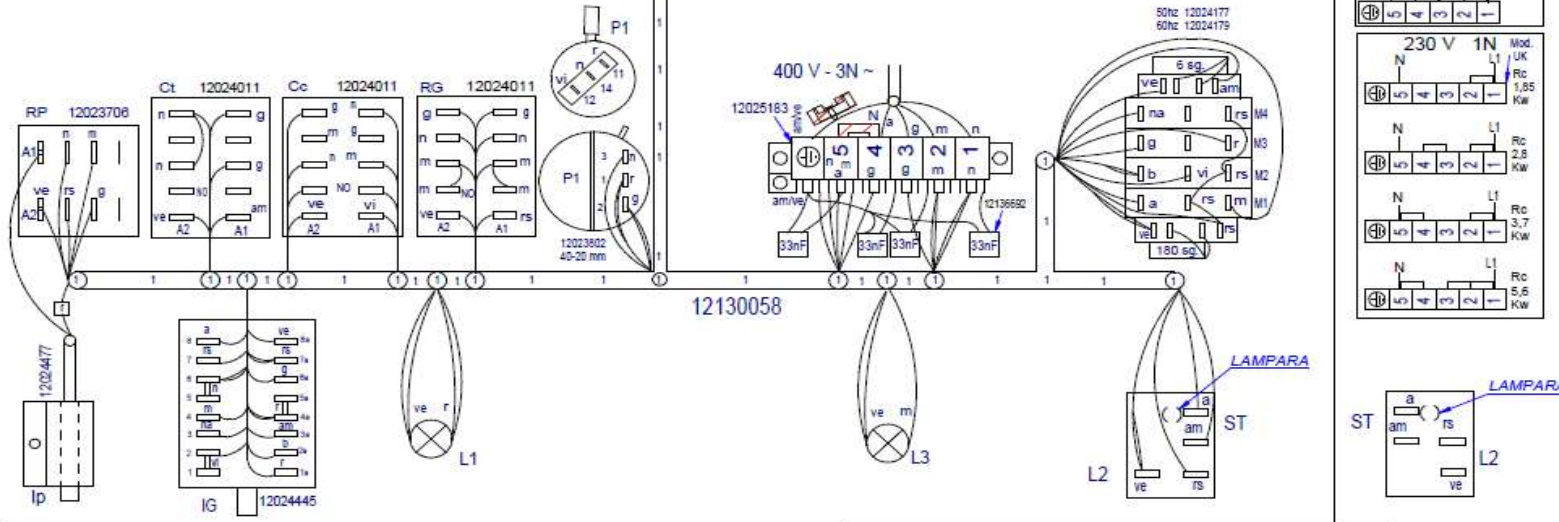
I G	1 1a	2 2a	3 3a	4 4a	5 5a	6 6a	7 7a	8 8a
0		X		X	X			X
90	X		X	X		X	X	X
180	X			X		X	X	X



12130659

- Esquema teorico Easy 500 W HP		- 12130659																																																																																																	
Nº	TITLE	QTY	CODE																																																																																																
GENERAL TOLERANCES: ISO 2768-1		Very Coarse																																																																																																	
<table border="1"> <thead> <tr> <th>File</th> <th>Material</th> <th>Case</th> <th>Fin. Class</th> </tr> </thead> <tbody> <tr> <td>10mm</td> <td>AL20</td> <td>AL30</td> <td>AL10</td> </tr> <tr> <td>14mm</td> <td>AL20</td> <td>AL30</td> <td>AL20</td> </tr> <tr> <td>16mm</td> <td>AL20</td> <td>AL30</td> <td>AL20</td> </tr> <tr> <td>20mm</td> <td>AL20</td> <td>AL30</td> <td>AL20</td> </tr> <tr> <td>25mm</td> <td>AL20</td> <td>AL30</td> <td>AL20</td> </tr> <tr> <td>30mm</td> <td>AL20</td> <td>AL30</td> <td>AL20</td> </tr> <tr> <td>40mm</td> <td>AL20</td> <td>AL30</td> <td>AL20</td> </tr> <tr> <td>50mm</td> <td>AL20</td> <td>AL30</td> <td>AL20</td> </tr> <tr> <td>60mm</td> <td>AL20</td> <td>AL30</td> <td>AL20</td> </tr> <tr> <td>80mm</td> <td>AL20</td> <td>AL30</td> <td>AL20</td> </tr> <tr> <td>100mm</td> <td>AL20</td> <td>AL30</td> <td>AL20</td> </tr> </tbody> </table>		File	Material	Case	Fin. Class	10mm	AL20	AL30	AL10	14mm	AL20	AL30	AL20	16mm	AL20	AL30	AL20	20mm	AL20	AL30	AL20	25mm	AL20	AL30	AL20	30mm	AL20	AL30	AL20	40mm	AL20	AL30	AL20	50mm	AL20	AL30	AL20	60mm	AL20	AL30	AL20	80mm	AL20	AL30	AL20	100mm	AL20	AL30	AL20	<table border="1"> <thead> <tr> <th>File</th> <th>Material</th> <th>Case</th> <th>Fin. Class</th> </tr> </thead> <tbody> <tr> <td>10mm</td> <td>AL20</td> <td>AL30</td> <td>AL10</td> </tr> <tr> <td>14mm</td> <td>AL20</td> <td>AL30</td> <td>AL20</td> </tr> <tr> <td>16mm</td> <td>AL20</td> <td>AL30</td> <td>AL20</td> </tr> <tr> <td>20mm</td> <td>AL20</td> <td>AL30</td> <td>AL20</td> </tr> <tr> <td>25mm</td> <td>AL20</td> <td>AL30</td> <td>AL20</td> </tr> <tr> <td>30mm</td> <td>AL20</td> <td>AL30</td> <td>AL20</td> </tr> <tr> <td>40mm</td> <td>AL20</td> <td>AL30</td> <td>AL20</td> </tr> <tr> <td>50mm</td> <td>AL20</td> <td>AL30</td> <td>AL20</td> </tr> <tr> <td>60mm</td> <td>AL20</td> <td>AL30</td> <td>AL20</td> </tr> <tr> <td>80mm</td> <td>AL20</td> <td>AL30</td> <td>AL20</td> </tr> <tr> <td>100mm</td> <td>AL20</td> <td>AL30</td> <td>AL20</td> </tr> </tbody> </table>		File	Material	Case	Fin. Class	10mm	AL20	AL30	AL10	14mm	AL20	AL30	AL20	16mm	AL20	AL30	AL20	20mm	AL20	AL30	AL20	25mm	AL20	AL30	AL20	30mm	AL20	AL30	AL20	40mm	AL20	AL30	AL20	50mm	AL20	AL30	AL20	60mm	AL20	AL30	AL20	80mm	AL20	AL30	AL20	100mm	AL20	AL30	AL20
File	Material	Case	Fin. Class																																																																																																
10mm	AL20	AL30	AL10																																																																																																
14mm	AL20	AL30	AL20																																																																																																
16mm	AL20	AL30	AL20																																																																																																
20mm	AL20	AL30	AL20																																																																																																
25mm	AL20	AL30	AL20																																																																																																
30mm	AL20	AL30	AL20																																																																																																
40mm	AL20	AL30	AL20																																																																																																
50mm	AL20	AL30	AL20																																																																																																
60mm	AL20	AL30	AL20																																																																																																
80mm	AL20	AL30	AL20																																																																																																
100mm	AL20	AL30	AL20																																																																																																
File	Material	Case	Fin. Class																																																																																																
10mm	AL20	AL30	AL10																																																																																																
14mm	AL20	AL30	AL20																																																																																																
16mm	AL20	AL30	AL20																																																																																																
20mm	AL20	AL30	AL20																																																																																																
25mm	AL20	AL30	AL20																																																																																																
30mm	AL20	AL30	AL20																																																																																																
40mm	AL20	AL30	AL20																																																																																																
50mm	AL20	AL30	AL20																																																																																																
60mm	AL20	AL30	AL20																																																																																																
80mm	AL20	AL30	AL20																																																																																																
100mm	AL20	AL30	AL20																																																																																																
LAVAVAJILLAS		DESIGNED BY	VALIDATED BY																																																																																																
12130659		M.MAILLO	A.G.																																																																																																
REVISION		DATE	SHEET																																																																																																
		09.11.2015	1 / 1																																																																																																
PROPOSED BY:		M.MAILLO	ISSUE DATE:																																																																																																

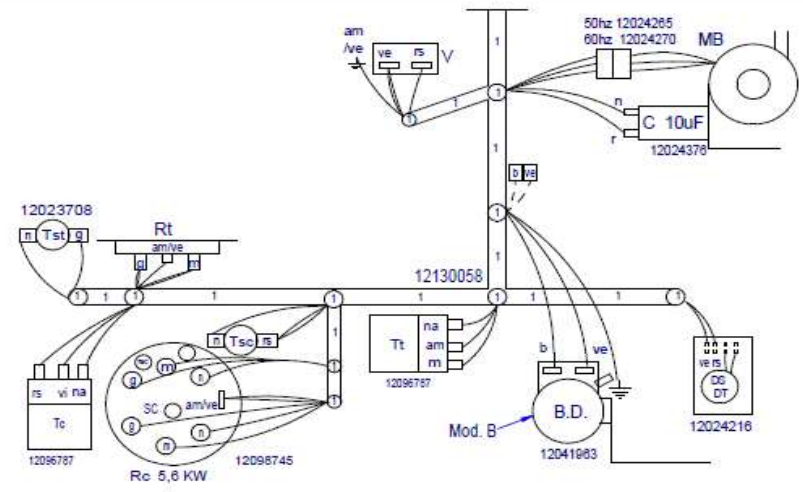
ESQUEMA TEORICO 12130654
 LEYENDA 12103338
 INDICADOR DE COMPONENTES 12111079



Nota: Todos los cables hembra que queden sin conectar se les colocaran una funda macho Q-578006

Montaje Easy 500HP

12130748



- Plano Montaje Easy 500 HP		- 12130748			
Nº		TITULO		QTY	
GENERAL TOLERANCES		ISO 2768-1		Very Coarse	
Holes	Ø	Free	Medium	Close	Very Close
	Flatness	±0.05	±0.10	±0.15	±0.20
	Form	±0.05	±0.10	±0.15	±0.20
	Surface	±0.10	±0.20	±0.30	±0.40
	Position	±0.10	±0.20	±0.30	±0.40
Slots	Width	±0.05	±0.10	±0.15	±0.20
	Depth	±0.05	±0.10	±0.15	±0.20
	Form	±0.05	±0.10	±0.15	±0.20
	Surface	±0.10	±0.20	±0.30	±0.40
	Position	±0.10	±0.20	±0.30	±0.40
GENERAL TOLERANCES FOR FINISHED PRODUCTS		ISO 2768-2			
12130748		LAVAVAJILLAS		DESIGNED BY: M. MAILLO	
		MATERIAL		VALIDATED BY: A. G.	
		TREATMENT		DATE: 11.11.2015	
				SHEET: 1 / 1	
		PROPOSED BY: M. MAILLO		ISSUE DATE:	

	ESPAÑOL	ENGLISH	FRANCAIS	DUTSCH	ITALIANO	PORTUGUES
	Tierra de protección	Grounding	Mise à terre	toma de tierra? Erdung	Messa a terra	
P	Puente de Conexión	Terminal block bridge	Pontage pour bloc de jonction	Verbindungsblockanschluss	Porte di connessione	
BA	Bomba Aclarado	Rinse pump	Pompe de rinçage	Spümittel dosierpumpe	Pompa di risciacquo	
BD	Bomba desagüe	Drain pump	Pompe de vidange	Abflulpumpe	Pompa scarico	
C, C1, C2	Condensador	Capacitor	Condensateur	kondensator	Condensatore	
CMB	Contacto bomba lavado	Wash pump contactor	Contacteur pompe de lavage	Turelais	Contactore pompa lavaggio	
Cc	Contacto calentamiento calderín	Boiler heating contactor	Contacteur chauffage surchauffeur	Kontaktschutz Waschpumpe	Contactore riscaldamento boiler	
Ct	Contacto calentamiento tanque	Tank heating contactor	Contacteur chauffage cuve	Kontaktschutz Boilerheizung	Contactore riscaldamento serbatoio	
CP	Relé puerta	Door relay	Relais de porte	Kontaktschutz Heizung tank	Relè porta	
Da, Abr	Dosificador Abrillantador	Dispenser	Distributeur	Klarspülmittel dosierpumpe	Dosatore brillantante	
Da, Det.	Dosificador Detergente	Detergent dispenser	Distributeur de détergent	Dosierer Spülmittel	Dosatore detergente	
F	Fusible	Fuse	Fusible	Fuse	Fusibile	
H1	Lampara encendido	Operation light	Voyant fonctionnement	Betriebsanzeigelampe	Spia accensione	
H2, H5	Lampara de marcha	Start light	Voyant démarrage	Startenzigelampe	Spia avvio	
H3	Lampara maquina preparada	Light machine ready	Voyant machine prêt	Betriebsbereitschaftsanzeigelampe	Pilota macchina preparata	
H4	Lampara falta Sal	Lamp salt missing	Lampe absence sel	Lampe Mangel Salz	Spia sale mancante	
HRS	Sistema recuperador energia	Heat Recovery System	Système de récupération de chaleur	System für Hitze-Rückgewinnung	Sistema con recupero di calore	
IG	Interruptor general	Main switch	Interrupteur général	Hauptschalter	Interruttore generale	
IP	Micro puerta	Door microswitch	Micro porte	Mikroschalter Tür	Micro porta	
Ist	Pulsador marcha	push button start	bouton de démarrage	Schalter (Ein)	Pulsante inizio	
L1 L2 L3	Fases Conexión Eléctrica	Power Supply Phases	Phases de alimentation	Stromanschlussfase	Fasi di alimentazione	
MB1, MB2	Bomba lavado	Wash Pump	Pompe de lavage	Waschpumpe	Pompa lavaggio	
M	Motor Programador lavado	Wash timer Motor	Programmeur Moteur lavage	Motor Programmiervorrichtung	Motore programmatore	
Mav.R	Motor Avance rapido Prg. Lav	Fast Forward Motor Prg. Wash	Moteur Avance rapide Prg. Lav	Motor Programmiervorrich. Betrieb	Motore programmatore avanzamento rapido	
M1, 2, 3, 4, 5	Micros Programador Lavado	Wash Programmer switch	laver micro-programmeur	Motor Programmiervorrich. Spülen	Micro programmatore di lavaggio	
M20, 21, 22, 23	Programador Regeneracion	Regeneration Timer	Programmeur régénération	Regenerierungsprogramm	Timer di rigenerazione	
P	Puente	Electric bridge	Pont électrique	Elektrischessteg	Porte elettrico	
P1	Presostato Tanque	Tank Pressure switch	Pressostat de cuve	Tank Druckwächter	Pressostato serbatoio	
P2	Presostato Bomba desagüe	Drain pump Pressure switch	Pressostat de Pompe de vidange	Abflulpumpe Druckwächter	Pressostato pompa scarico	
P3	Presostato calderín	Boiler Pressure switch	Pressostat de surchauffeur	Boiler Druckwächter	Pressostato boiler	
PRG	Programador Electronico	Electronic programmer	Programmeur électronique	Elektronischer Programmierer	Programmatore elettronico	
PRG P2	Puente Soft Start	Soft Start Jumper	Soft Start Cavalier	Soft Start Brücke	Porte Soft Start	
Rc	Resistencia calderín	Boiler heating element	Resistance surchauffeur	Heizwiderstand Boiler	Resistenza boiler	
RG	Relé General	Main Relay	Relais principal	Stromversorgungsanschluß Gener.	Relè generale	
RST	Relé Marcha	Start up relay		Relais	Relè inizio	
Rt	Resistencia tanque	Tank heating element	Resistance cuve	Heizwiderstand tank	Resistenza serbatoio	
SC	Sonda Temperatura Calderín	Boiler temperature sensor	Surchauffeur capteur de température	Temperatursensor Boiler	Boiler sonda temperatura	
ST	Sonda Temperatura tanque	Tank temperature sensor	Cuve capteur de température	Temperatursensor Tank	Serbatoio sonda temperatura	
TC	Termostato calderín	Boiler thermostat	Thermostat surchauffeur	Thermostat kessel	Termostato boiler	
Tmp	Temporizador	Timer	Minuteur	Timer	Timer	
TRF	Transformador	Transformer	Transformateur	Transformator	Trasformatore	
TSC	Termostato Limitador calderín	Boiler Hi-limit thermostat	Thermostat Limiteur surchauffeur	Begrenzer Boiler	Limitatore boiler	
TST	Termostato Limitador tanque	Tank Hi-limit thermostat	Thermostat Limiteur de cuve	Begrenzer tank	Limitatore serbatoio	
TT	Termostato tanque	Tank thermostat	Thermostat de cuve	Thermostat tank	Termostato serbatoio	
V	Electroválvula llenado	Water solenoid valve	Electrovanne d'eau	Elektroventil Füllen und Spülen	Elettroval riempimento e risciacquo	
Vf	Electroválvula agua Fria	Water solenoid valve	Electrovanne d'eau	Elektroventil Füllen und Spülen	Elettroval riempimento e risciacquo	
VR1, VR2,VR3,BR	Electrovalvulas Regeneracion	Regeneration solenoid valve	vanne de régénération	Regenerierventil	Valvola di rigenerazione	
	COLOUR	COLOUR	COULEURS	FARBEN	COLORE	
a =	BLU Azul	Blue	Bleu	Blau	Blu	
am =	YEL Amanillo	Yellow	Jaune	Gelb	Giallo	
am/vo =	YEL/GRN Amanillo/Verde	Yellow / green	Jaune / vert	Gelb/ grün	Giallo/ verde	
b =	WHT Blanco	White	Blanc	Weiß	Bianco	
g =	GRY Gris	Grey	Gris	Grau	Grigio	
m =	BRN Marron	Brown	Marron	Braun	Marrone	
n =	BLK Negro	Black	Noir	Schwarz	Nero	
na =	ORG Naranja	Orange	Orange	Orange	Arancio	
r =	RED Rojo	Red	Rouge	Rot	Rosso	
ra =	PNK Rosa	Pink	Rose	Rosa	Rosa	
ve =	GRN Verde	Green	Vert	Grün	Verde	
vi =	PRP Violeta	Purple	Pourpre	Violett	Violeta	
			12103338			12103338