

# DESPIECE TECNICO TECHNICAL PARTS

LAVA-VASOS  
GLASS-WASHERS

## MODELOS / MODELS

G-OEM-350 RD / B / DD / UK / SA  
G-OEM-400 RD / B / DD / UK / SA

50Hz/60Hz

**Vers.**  
**Revised**

February 2018  
April 2024

## MODEL-DRAWING RELATION

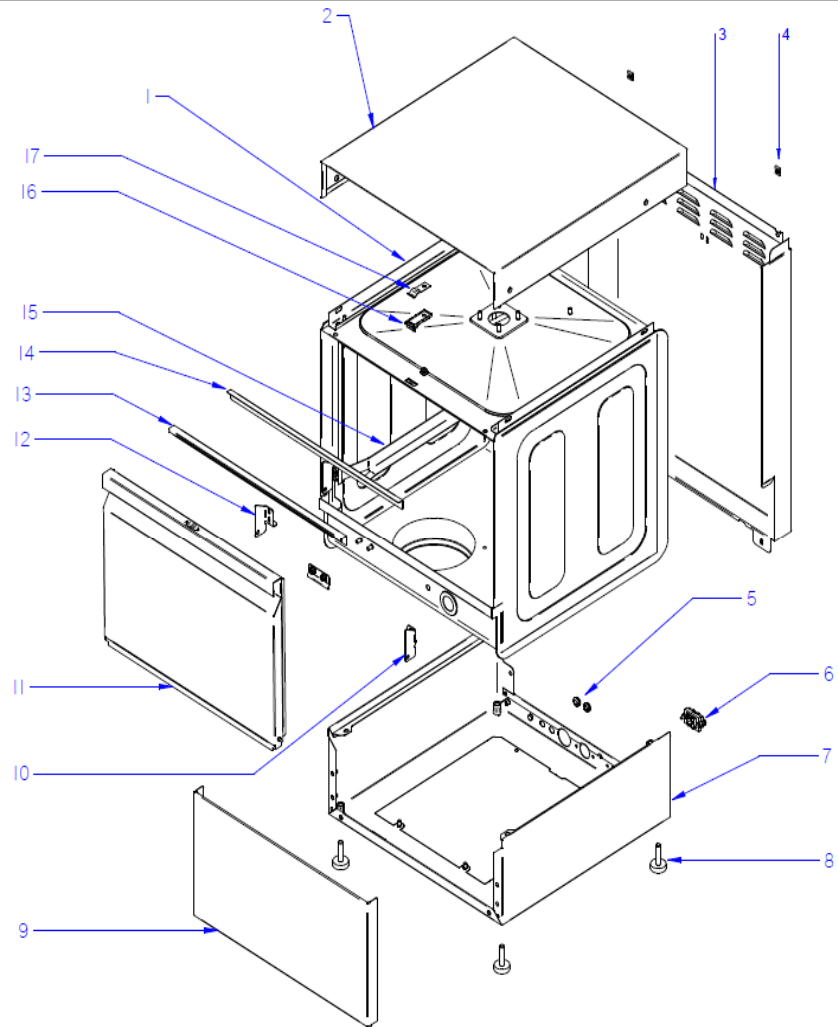
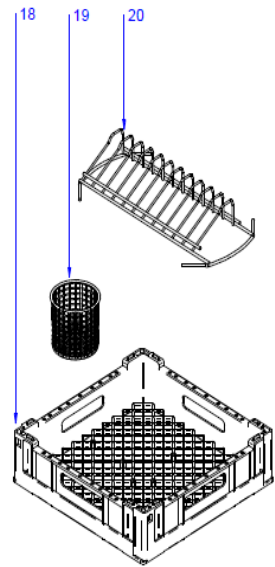
MODEL	GW_001	GW_002	GW_003	GW_004	GW_005	GW_007
	Structure	Wash Functional Part	Gravity Drain	Drain Pump	Rinsing Functional Part	Electric Functional Part
G-OEM-350	X	X	X		X	X
G-OEM-350 DD	X	X	X		X	X
G-OEM-350 B	X	X		X	X	X
G-OEM-35 B DD	X	X		X	X	X
G-OEM-350 SA	X	X	X		X	X
G-OEM-350 DD SA	X	X	X		X	X
G-OEM-350 B SA	X	X		X	X	X
G-OEM-350 B DD SA	X	X		X	X	X
G-OEM-350 UK	X	X	X		X	X
G-OEM-350 DD UK	X	X	X		X	X
G-OEM-350 B SA UK	X	X		X	X	X
G-OEM-35 B DD UK	X	X		X	X	X
G-OEM-350 SA UK	X	X	X		X	X
G-OEM-350 DD SA UK	X	X	X		X	X
G-OEM-350 B SA UK	X	X		X	X	X
G-OEM-350 B DD SA UK	X	X		X	X	X
G-OEM-400	X	X	X		X	X
G-OEM-400 DD	X	X	X		X	X
G-OEM-400 B	X	X		X	X	X
G-OEM-400 B DD	X	X		X	X	X
G-OEM-400 SA	X	X	X		X	X
G-OEM-400 DD SA	X	X	X		X	X
G-OEM-400 B SA	X	X		X	X	X
G-OEM-400 B DD SA	X	X		X	X	X
G-OEM-400 UK	X	X	X		X	X
G-OEM-400 DD UK	X	X	X		X	X
G-OEM-400 B SA UK	X	X		X	X	X
G-OEM-400 B DD UK	X	X		X	X	X
G-OEM-400 SA UK	X	X	X		X	X
G-OEM-400 DD SA UK	X	X	X		X	X
G-OEM-400 B SA UK	X	X		X	X	X
G-OEM-400 B DD SA UK	X	X		X	X	X

\* Si su modelo no esta en la lista de planos, escoga la descripcion mas cercana

\* If your model does not appear in the list of drawings, choose the closest description

OPTIONS	DESCRIPCIÓN	DESCRIPTION
<b>B</b>	Bomba de desagüe	Drain Pump
<b>DD</b>	Dosificador de detergente	Detergent dispenser
<b>SA</b>	Ramas de lavado y aclarado en inoxidable	Stainless steel washing and rinsing arms
<b>UK</b>	Potencia de cuba y cable modificado para R.U	Modified Tank power and power cord for UK
<b>RD</b>	Dosificador de abrillantador y detergente eléctrico	Electric rinse aid and detergent dispenser

N. plano / Drawing N.	Empresa / Signature	Fecha / Date	Autor / Author	APROBACION / APPROVE	Letras / Sign
GW_001	Philips	02/2018	GLASS-WASHERS GRAND 350 & 400		1



ZONA / ZONE	ARMAZON LAVA-VASOS / GW FRAME
-------------	-------------------------------

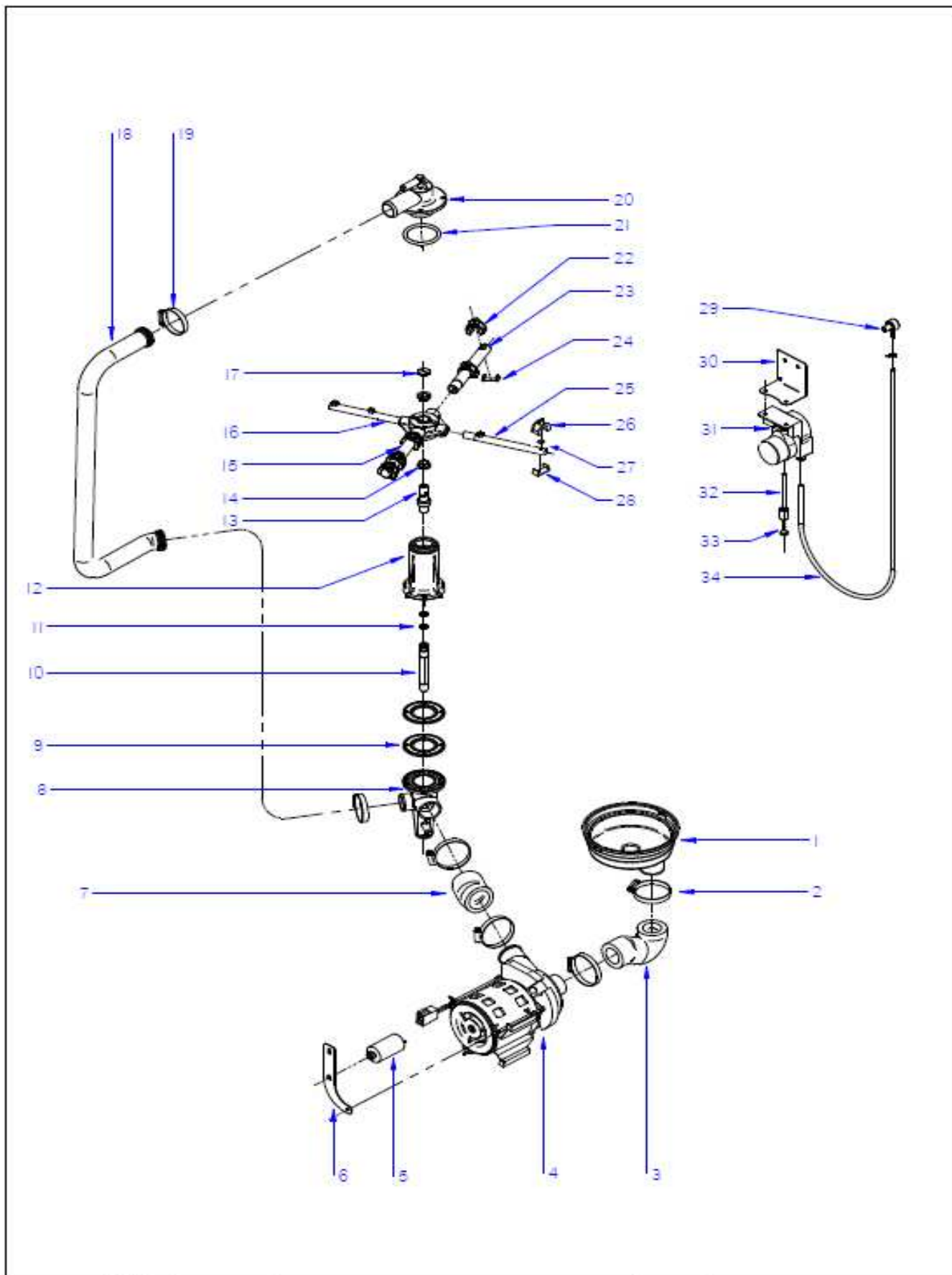
LÁMINA / DRAWING	GW_001
------------------	--------

ITEM	REFERENCIA REFERENCE	DENOMINACIÓN	DENOMINATION	G-OEM-350	G-OEM-350 B	G-OEM-350 DD	G-OEM-350 B DD	G-OEM-350 UK	G-OEM-350 B UK	G-OEM-350 DD UK	G-OEM-350 B DD UK						RECOMMENDED	ELIMINADO ELIMINATED	INTRODUCIDO INTRODUCED	NOTAS NOTES	
1	12186519	SOPORTE PANEL SUPERIOR 350 L	LID HOLDER 350 L	1	1	1	1	1	1	1	1										
S/Nº	12232098	SOPORTE PANEL SUPERIOR 350 P	LID HOLDER 350 P	1	1	1	1	1	1	1	1										
2	12170238	PANEL SUPERIOR 350	LID PANEL 350	1	1	1	1	1	1	1	1										
3	12139537	PANEL POSTERIOR 350	GW-350 BACK PANEL	1	1	1	1	1	1	1	1										
4	12010134	TUERCA RAPIDA M-5	M-5 FAST NUT	8	8	8	8	8	8	8	8										
5	12037842	PASAHILOS DE GOMA	RUBBER CONDUIT PROTECTOR	1	1	1	1	1	1	1	1										
6	12024230	RETENEDOR DE CABLE	CABLE HOLDER	1	1	1	1	1	1	1	1										
7	12140246	BASE LAVAVASOS COMPLETO 350	COMPLETE GW-350 BASE	2	2	2	2	2	2	2	2										
8	12024163	PATA REGULABLE	ADJUSTABLE LEG	1	1	1	1	1	1	1	1										
9	12139531	PANEL FRONTAL INFERIOR 350	FRONT BOTTOM PANEL 350	1	1	1	1	1	1	1	1										
10	12048774	SOPORTE PUERTA DERECHA	RIGHT DOOR SUPPORT	1	1	1	1	1	1	1	1						44197				
10	12271860	SOPORTE PUERTA IZQUIERDA	DOOR RIGHT SUPPORT	1	1	1	1	1	1	1	1							1/1/2021		8102140954	
11	*	PUERTA COMPLETA 350	COMPLETE DOOR 350	1	1	1	1	1	1	1	1										Check Optionals
12	12048627	SOPORTE PUERTA IZQUIERDA	DOOR LEFT SUPPORT	1	1	1	1	1	1	1	1						1/1/2021				
12	12271839	SOPORTE PUERTA IZQUIERDA	DOOR LEFT SUPPORT	1	1	1	1	1	1	1	1							44197		8102140954	
13	12102061	PERFIL JUNTA VAHOS 350	DOOR GASKET PROFILE 350	1	1	1	1	1	1	1	1										
14	12087200	PERFIL VAHOS 350	DOOR GASKET 350	1	1	1	1	1	1	1	1										
15	12049133	GUIA CESTILLO IZQU. 350	LEFT BASKET GUIDE 350	1	1	1	1	1	1	1	1										
S/Nº	12049135	GUIA CESTILLO DERECHA 350	RIGHT BASKET GUIDE 350	1	1	1	1	1	1	1	1										
16	12087183	MACHO CIERRE PUERTA	DOOR PLASTIC BLOCKER	1	1	1	1	1	1	1	1										
17	12087186	FLEJE CIERRE PUERTA	DOOR CLOSING SPRING PLATE	1	1	1	1	1	1	1	1										
18	12024550	CESTILLO 350	350 BASKET	2	2	2	2	2	2	2	2										
19	12025242	CESTILLO CUBIERTOS LVS	GW CUTTLERY BASKET	1	1	1	1	1	1	1	1										
20	12025030	SUPLEMENTO PLATILLOS LVS	DISH-HOLDER	-	-	-	-	-	-	-	-										

ZONA / ZONE	ARMAZON LAVA-VASOS / GW FRAME
-------------	-------------------------------

LÁMINA / DRAWING	GW_001
------------------	--------

ITEM	REFERENCIA REFERENCE	DENOMINACIÓN	DENOMINATION	G-OEM-400	G-OEM-400 B	G-OEM-400 DD	G-OEM-400 B DD	G-OEM-400 UK	G-OEM-400 B UK	G-OEM-400 DD UK	G-OEM-400 B DD UK						RECOMMENDED	ELIMINADO ELIMINATED	INTRODUCIDO INTRODUCED	NOTAS NOTES
1	12170256	SOPORTE PANEL SUPERIOR 400	LID HOLDER 400	2	2	2	2	2	2	2	2									
2	12170239	PANEL SUPERIOR 400	GW-400 LID	1	1	1	1	1	1	1	1									
3	12010134	TUERCA RAPIDA M-5	M-5 FAST NUT	8	8	8	8	8	8	8	8									
4	12140261	PANEL POSTERIOR 400	GW-400 BACK PANEL	1	1	1	1	1	1	1	1									
5	12037842	PASAHILOS DE GOMA	RUBBER CONDUIT PROTECTOR	1	1	1	1	1	1	1	1									
6	12024230	RETENEDOR DE CABLE	CABLE HOLDER	1	1	1	1	1	1	1	1									
7	12140269	BASE LAVAVASOS COMPLETO 400	COMPLETE GW-400 BASE	2	2	2	2	2	2	2	2									
8	12024163	PATA REGULABLE	ADJUSTABLE LEG	1	1	1	1	1	1	1	1									
9	12140260	PANEL FRONTAL INFERIOR 400	FRONT BOTTOM PANEL 400	1	1	1	1	1	1	1	1									
10	12048774	SOPORTE PUERTA DERECHA	RIGHT DOOR SUPPORT	1	1	1	1	1	1	1	1							01.01.2021		
10	12271860	SOPORTE PUERTA IZQUIERDA	DOOR RIGHT SUPPORT	1	1	1	1	1	1	1	1								1/1/2021	8102140954
11	*	PUERTA COMPLETA 400	COMPLETE DOOR 400	1	1	1	1	1	1	1	1									Check Optionals
12	12048627	SOPORTE PUERTA IZQUIERDA	DOOR LEFT SUPPORT	1	1	1	1	1	1	1	1								1/1/2021	
12	12271839	SOPORTE PUERTA IZQUIERDA	DOOR LEFT SUPPORT	1	1	1	1	1	1	1	1								01.01.2021	8102140954
13	12102035	PERFIL JUNTA VAHOS 400	DOOR GASKET PROFILE400	1	1	1	1	1	1	1	1									
14	12101867	PERFIL VAHOS 400	DOOR GASKET 400	1	1	1	1	1	1	1	1									
15	12102194	GUIA CESTILLO DERECHA 400	RIGHT BASKET GUIDE 400	1	1	1	1	1	1	1	1									
S/Nº	12102193	GUIA CESTILLO IZQU. 400	LEFT BASKET GUIDE 400	1	1	1	1	1	1	1	1									
16	12087183	MACHO CIERRE PUERTA	DOOR PLASTIC BLOCKER	1	1	1	1	1	1	1	1									
17	12087186	FLEJE CIERRE PUERTA	DOOR CLOSING SPRING PLATE	1	1	1	1	1	1	1	1									
18	12025069	CESTILLO 400	400 BASKET	2	2	2	2	2	2	2	2									
19	12025242	CESTILLO CUBIERTOS LVS	GW CUTTLERY BASKET	1	1	1	1	1	1	1	1									
20	12025030	SUPLEMENTO PLATILLOS LVS	DISH-HOLDER	1	1	1	1	1	1	1	1									



Nº plano / Drawing N. GW-002	Firma / Signature Aitor.L	Fecha / Date 02/2018	Aparato / Appliance PARTE FUNCIONAL LAVADO / WASHING FUNCTIONAL PART GLASS-WASHERS GRAND-350 & 400	Lamina / Sheet 2
---------------------------------	---------------------------------	-------------------------	--	---------------------

ZONA / ZONE	PARTE FUNCIONAL LAVADO / WASHING FUNCTIONAL PART
-------------	--

LAMINA / DRAWING	GW_002
------------------	--------

ITEM	REFERENCIA REFERENCE	DENOMINACIÓN	DENOMINATION	G-OEM-350											RECOMMENDED	ELIMINADO ELIMINATED	INTRODUCIDO INTRODUCED	NOTAS NOTES
				G-OEM-350	G-OEM-350 B	G-OEM-350 DD	G-OEM-350 B DD	G-OEM-350 SA	G-OEM-350 B SA	G-OEM-350 DD SA	G-OEM-350 B DD SA							
1	12023617	CUBETA_EVCO-21	Drainage Bowl GW	1	1	1	1	1	1	1	1	1						
S/N	12025195	ABRAZADERA CUBETA COMPLETA	Drainage Bowl Clamp GW	1	1	1	1	1	1	1	1	1						
2	12009986	ABRAZADERA 32-50	32-50 CLAMP	4	4	4	4	4	4	4	4	4						
3	12023670	CODO ASPIRACION	Wash Pump Inlet Pipe GW	1	1	1	1	1	1	1	1	1						
4	12023429	BOMBA LAVADO 50/60Hz 260 W	WASHIG 50/60Hz 260 W	1	1	1	1	1	1	1	1	1			X			
5	12024346	CONDENSADOR 6 MF	6 MF CAPACITOR	1	1	1	1	1	1	1	1	1			X			
6	12139529	SOPORTE BOMBA LAVADO 350	WASHIG PUMP HANGER 350	1	1	1	1	1	1	1	1	1						
7	12023607	CODO IMPULSION	Wash Pump Outlet Pipe GW	1	1	1	1	1	1	1	1	1						
8	12024703	PASAMUROS CESTO CUADRADO	Lower Outer Feedthrough GW	1	1	1	1	1	1	1	1	1						
9	12023533	JUNTA ESTANQUEIDAD	Bottom Feedthrough Gasket GW	2	2	2	2	2	2	2	2	2						
10	12023801	EMPALME ACLARADO	Rinsing Connector	1	1	1	1	1	1	1	1	1						
11	12009911	JUNTA TO.10.82X14.38X1.78	O-ring10,82x14,38x1,78	2	2	2	2	2	2	2	2	2						
12	12025133	SOPORTE INFER. CUADRO COM	Bottom Feedthrough GW	1	1	1	1	1	1	1	1	1						
13	12025114	EJE_LAVAVASOS	Arm rotation central shaft GW	2	2	2	2	2	2	2	2	2						
14	12024086	CASQUILLO CRUCETA	Arm holder sleeve GW	4	4	4	4	4	4	4	4	4						
15	12019827	RAMA LAVADO A 350 INOX.	SS WASHING BRANCH A 350	-	-	-	-	2	2	2	2							
15	12024138	RAMA LAVADO A 350 PLÁSTICO	PLASTIC WASHING BRANCH A 350	2	2	2	2	-	-	-	-							
16	12020475	RAMA ACLARADO A 350 INOX.	SS RINSING BRANCH A 350	-	-	-	-	2	2	2	2							
16	12025253	RAMA ACLARADO A 350 PLÁSTICO	PLASTIC RINSING BRANCH A 350	2	2	2	2	-	-	-	-							
17	12009829	TORNILLO ESPECIAL M5X0.8	Screw special INOX M5X7MM	2	2	2	2	2	2	2	2	2						
18	12024059	ARBOL LAVADO 350	WASHING TREE 350	1	1	1	1	1	1	1	1	1						
19	12009997	ABRAZADERA 25-40	Worm clamp 25-40 mm	2	2	2	2	2	2	2	2	2						
20	12023590	SOPORTE DISTRIBUIDOR SUPERIOR	Upper Feedthrough GW	1	1	1	1	1	1	1	1	1						
21	12010079	JUNTA TOR.50.17X60.83X5.3	O-RING 50,17x60,83x5,33	1	1	1	1	1	1	1	1	1						
22	12023732	TOBERA LAVADO	Washing Nozzle	10	10	10	10	10	10	10	10	10						
23	12020475	RAMA LAVADO B 350 INOX.	WASHING BRANCH B 350 SS	-	-	-	-	2	2	2	2							
23	12025251	RAMA LAVADO PLÁSTICO B 350	PLASTIC WASHING BRANCH B 350	2	2	2	2	-	-	-	-							
24	12023710	ENGANCHE TOBERA LAVADO	WASHING NOZZLE HOLDER	10	10	10	10	10	10	10	10	10						
25	12020476	RAMA ACLARADO B 350 INOX.	SS RINSING BRANCH B 350	-	-	-	-	2	2	2	2							
25	12024137	RAMA ACLARADO B 350	PLASTIC RINSING BRANCH B 350	2	2	2	2	-	-	-	-							

ZONA / ZONE	PARTE FUNCIONAL LAVADO / WASHING FUNCTIONAL PART
-------------	--

LAMINA / DRAWING	GW_002
------------------	--------

ITEM	REFERENCIA REFERENCE	DENOMINACIÓN	DENOMINATION	G-OEM-350	G-OEM-350 B	G-OEM-350 DD	G-OEM-350 B DD	G-OEM-350 SA	G-OEM-350 B SA	G-OEM-350 DD SA	G-OEM-350 B DD SA						RECOMMENDED	ELIMINADO ELIMINATED	INTRODUCIDO INTRODUCED	NOTAS NOTES
26	12024252	TOBERA ACLARADO INOX.	SS RINSING NOZZLE	-	-	-	-	8	8	8	8									
26	12024077	TOBERA ACLARADO PLASTICO	PLASTIC RINSING NOZZLE	8	8	8	8	-	-	-	-									
27	12009912	JUNTA TOR. 5.28X8.84X1.78	O-RING 5,28x8,84x1,78	8	8	8	8	-	-	-	-									
28	12024006	ENGANCHE TOBERA ACLARADO	RINSE NOZZLE HOLDER	8	8	8	8	-	-	-	-									
	12182946	SET DISPENSADOR DETERGENTE LVS	GW DETERGENT DISPENSER SER	-	-	1	1	-	-	-	1	1								
29	12024531	PASAMUROS DETERGENTE	Detergent Feedthrough	-	-	1	1	-	-	-	1	1								
30	12140258	SOPORTE DOSIFICADOR	DISPENSER HOLDER	-	-	1	1	-	-	-	1	1								
31	12133011	DOSIFICADOR DE DETERGENTE	DETERGENT DISPENSER	-	-	1	1	-	-	-	1	1				X				
32	12024139	CONDUCTO ASPIRACION DET.	DETERGENT ASPIRATION PIPE	-	-	1	1	-	-	-	1	1								
33	12164632	PESO FILTRO	FILTER WEIGHT	-	-	1	1	-	-	-	1	1								
34	11000079	CONDUCTO DOSIF. TRANSP 6X4	DET. DISPENSER PIPE 6X4	-	-	1	1	-	-	-	1	1								



ZONA / ZONE	PARTE FUNCIONAL LAVADO / WASHING FUNCTIONAL PART
-------------	--

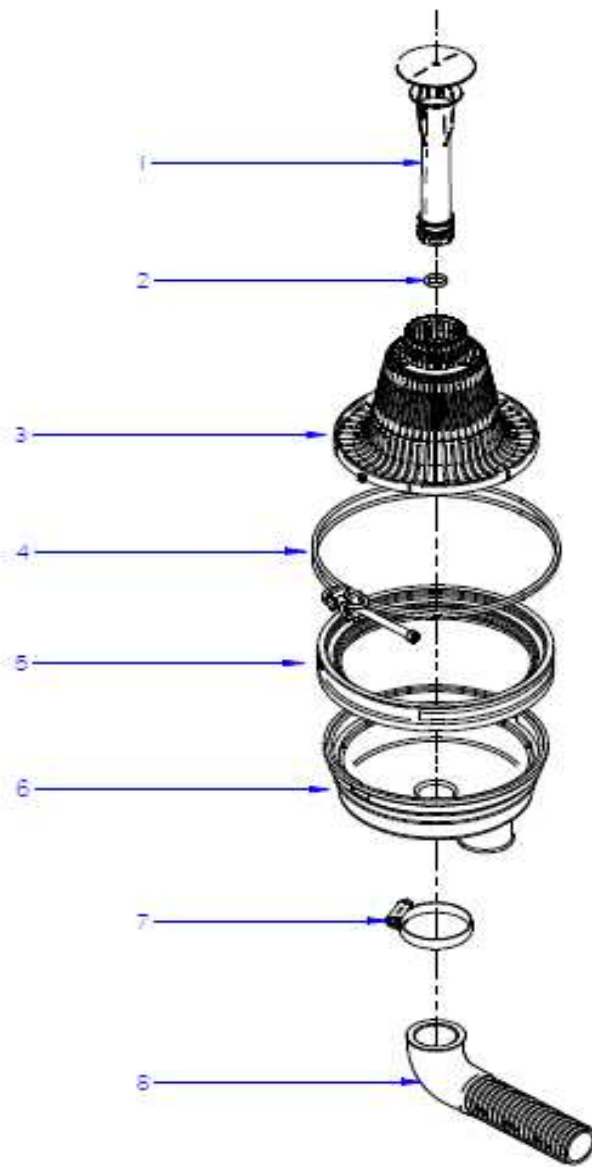
LAMINA / DRAWING	GW_002
------------------	--------

ITEM	REFERENCIA REFERENCE	DENOMINACIÓN	DENOMINATION	G-OEM-400	G-OEM-400 B	G-OEM-400 DD	G-OEM-400 B DD	G-OEM-400 SA	G-OEM-400 B SA	G-OEM-400 DD SA	G-OEM-400 B DD SA						RECOMMENDED	ELIMINADO ELIMINATED	INTRODUCIDO INTRODUCED	NOTAS NOTES
1	12023617	CUBETA_EVCO-21	Drainage Bowl GW	1	1	1	1	1	1	1	1									
	12025195	ABRAZADERA CUBETA COMPLETA	Drainage Bowl Clamp GW	1	1	1	1	1	1	1	1									
2	12009986	ABRAZADERA 32-50	32-50 CLAMP	4	4	4	4	4	4	4	4									
3	12023670	CODO ASPIRACION	Wash Pump Inlet Pipe GW	1	1	1	1	1	1	1	1									
4	12023429	BOMBA LAVADO 50/60Hz 260 W	WASHIG 50/60Hz 260 W	1	1	1	1	1	1	1	1						X			
5	12024346	CONDENSADOR 6MF	6MF CAPACITOR	1	1	1	1	1	1	1	1						X			
6	12140257	SOPORTE BOMBA LAVADO 400	WASHIG PUMP HANGER 400	1	1	1	1	1	1	1	1									
7	12023607	CODO IMPULSION	Wash Pump Outlet Pipe GW	1	1	1	1	1	1	1	1									
8	12024703	PASAMUROS CESTO CUADRADO	Lower Outer Feedthrough GW	1	1	1	1	1	1	1	1									
9	12023533	JUNTA ESTANQUEIDAD	Bottom Feedthrough Gasket GW	2	2	2	2	2	2	2	2									
10	12023801	EMPALME ACLARADO	Rinsing Connector	1	1	1	1	1	1	1	1									
11	12009911	JUNTA TO.10.82X14.38X1.78	O-ring10,82x14,38x1,78	2	2	2	2	2	2	2	2									
12	12025133	SOPORTE INFER. CUADRO COM	Botton Feedthrough GW	1	1	1	1	1	1	1	1									
13	12025114	EJE_LAVAVASOS	Arm rotation central shaft GW	2	2	2	2	2	2	2	2									
14	12024086	CASQUILLO CRUCETA	Arm holder sleeve GW	4	4	4	4	4	4	4	4									
15	12022381	RAMA LAVADO A 400 INOX.	SS WASHING BRANCH A 400	-	-	-	-	2	2	2	2									
15	12126179	RAMA LAVADO A 400 PLÁSTICO	PLASTIC WASHING BRANCH A 400	2	2	2	2	-	-	-	-									
16	12022613	RAMA ACLARADO A 400 INOX.	SS RINSING BRANCH A 400	-	-	-	-	2	2	2	2									
16	12023526	RAMA ACLARADO A 400 PLÁSTICO	PLASTIC RINSING BRANCH A 400	2	2	2	2	-	-	-	-									
17	12009829	TORNILLO ESPECIAL M5X0.8	Screw special INOX M5X7MM	2	2	2	2	2	2	2	2									
18	12025154	ARBOL LAVADO 400	WASHING TREE 400	1	1	1	1	1	1	1	1									
19	12009997	ABRAZADERA 25-40	Worm clamp 25-40 mm	2	2	2	2	2	2	2	2									
20	12023590	SOPORTE DISTRIBUIDOR SUPERIOR	Upper Feedthrough GW	1	1	1	1	1	1	1	1									
21	12010079	JUNTA TOR.50.17X60.83X5.3	O-RING 50,17x60,83x5,33	1	1	1	1	1	1	1	1									
22	12023732	TOBERA LAVADO	Washing Nozzle	12	12	12	12	12	12	12	12									
23	12022382	RAMA LAVADO B 400 INOX.	WASHING BRANCH B 400 SS	-	-	-	-	2	2	2	2									
23	12126198	RAMA LAVADO PLÁSTICO B 400	PLASTIC WASHING BRANCH B 400	2	2	2	2	-	-	-	-									
24	12023710	ENGANCHE TOBERA LAVADO	WASHING NOZZLE HOLDER	12	12	12	12	12	12	12	12									
25	12022710	RAMA ACLARADO B 400 INOX.	SS RINSING BRANCH B 400	-	-	-	-	2	2	2	2									
25	12023525	RAMA ACLARADO B 400	PLASTIC RINSING BRANCH B 400	2	2	2	2	-	-	-	-									

ZONA / ZONE	PARTE FUNCIONAL LAVADO / WASHING FUNCTIONAL PART
-------------	--

LAMINA / DRAWING	GW_002
------------------	--------

ITEM	REFERENCIA REFERENCE	DENOMINACIÓN	DENOMINATION	G-OEM-400	G-OEM-400 B	G-OEM-400 DD	G-OEM-400 B DD	G-OEM-400 SA	G-OEM-400 B SA	G-OEM-400 DD SA	G-OEM-400 B DD SA						RECOMMENDED	ELIMINADO ELIMINATED	INTRODUCIDO INTRODUCED	NOTAS NOTES
26	12024252	TOBERA ACLARADO INOX.	SS RINSING NOZZLE	-	-	-	-	10	10	10	10									
26	12024077	TOBERA ACLARADO PLASTICO	PLASTIC RINSING NOZZLE	10	10	10	10	-	-	-	-									
27	12009912	JUNTA TOR. 5.28X8.84X1.78	O-RING 5,28x8,84x1,78	10	10	10	10	-	-	-	-									
28	12024006	ENGANCHE TOBERA ACLARADO	RINSE NOZZLE HOLDER	10	10	10	10	-	-	-	-									
	12182946	SET DISPENSADOR DETERGENTE LVS	GW DETERGENT DISPENSER SER	-	-	1	-	-	-	-	-									
29	12024531	PASAMUROS DETERGENTE	Detergent Feedthrough	-	-	1	1	1	1	1	1									
30	12140258	SOPORTE DOSIFICADOR	DISPENSER HOLDER	-	-	1	1	1	1	1	1									
31	12133011	DOSIFICADOR DE DETERGENTE	DETERGENT DISPENSER	-	-	1	1	1	1	1	1						X			
32	12024139	CONDUCTO ASPIRACION DET.	DETERGENT ASPIRATION PIPE	-	-	1	1	1	1	1	1									
33	12164632	PESO FILTRO	FILTER WEIGHT	-	-	1	1	1	1	1	1									
34	11000079	CONDUCTO DOSIF. TRANSP 6X4	DET. DISPENSER PIPE 6X4	-	-	1	1	1	1	1	1									



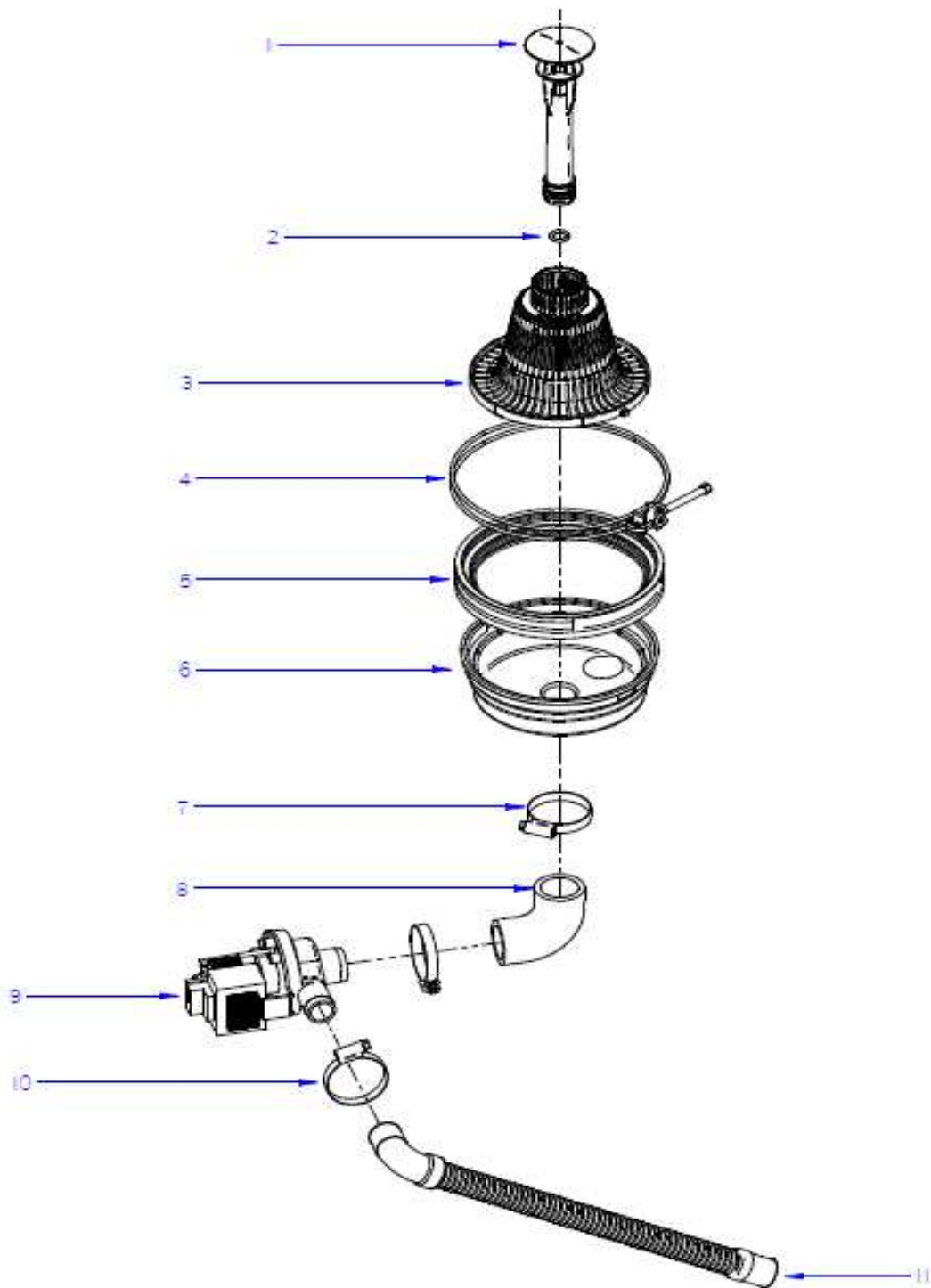
Drawing N.	Signature	Date	Devices:	GRAVITY DRAINAGE	Sheet
GW-03	Aitor U	02-2018		GLASSWASHERS GRAND-360 & 400	3

ITEM	REFERENCIA REFERENCE	DENOMINACIÓN	DENOMINATION	G-OEM-350	G-OEM-350 DD	G-OEM-350 UK	G-OEM-350 DD UK	G-OEM-350 SA	G-OEM-350 DD SA	G-OEM-350 SA UK	G-OEM-350 DD SA UK						RECOMMENDED	ELIMINADO ELIMINATED	INTRODUCIDO INTRODUCED	NOTAS NOTES	
1	12092017	ALIVIADERO_LVS	DRAIN PLUG DW	1	1	1	1	1	1	1	1										
2	12104085	JUNTA TORIC 25.4X20.2X2.6	O-RING 25,4x20,2x2,6	1	1	1	1	1	1	1	1										
3	12092003	FILTRO CUBA LVS	DRAIN BOWL FILTER	1	1	1	1	1	1	1	1										
4	12025195	ABRAZADERA CUBETA COMPLETA	DRAIN BOWL CLAMP	1	1	1	1	1	1	1	1										
5	12024113	JUNTA CUBETA	DRAIN BOWL GASKET	1	1	1	1	1	1	1	1										
6	12023617	CUBETA	DRAIN BOWL	1	1	1	1	1	1	1	1										
7	12009997	ABRAZADERA 25-40	Worm clamp 25-40 mm	1	1	1	1	1	1	1	1										
8	12024114	MANGUERA DESAGÜE	DRAINING PIPE	1	1	1	1	1	1	1	1										

ZONA / ZONE	DESAGÜE POR GRAVEDAD / GRAVITY DRAINAGE
-------------	---

LAMINA / DRAWING	GW_003
------------------	--------

ITEM	REFERENCIA REFERENCE	DENOMINACIÓN	DENOMINATION	G-OEM-400 B	G-OEM-400 B DD	G-OEM-400 B UK	G-OEM-400 B DD UK	G-OEM-400 B SA	G-OEM-400 B DD SA	G-OEM-400 B SA UK	G-OEM-400 B DD SA UK							RECOMMENDED	ELIMINADO ELIMINATED	INTRODUCIDO INTRODUCED	NOTAS NOTES		
1	12092017	ALIVIADERO_LVS	DRAIN PLUG DW	1	1	1	1	1	1	1	1												
2	12104085	JUNTA TORIC 25.4X20.2X2.6	O-RING 25,4x20,2x2,6	1	1	1	1	1	1	1	1												
3	12092003	FILTRO CUBA LVS	DRAIN BOWL FILTER	1	1	1	1	1	1	1	1												
4	12025195	ABRAZADERA CUBETA COMPLETA	DRAIN BOWL CLAMP	1	1	1	1	1	1	1	1												
5	12024113	JUNTA CUBETA	DRAIN BOWL GASKET	1	1	1	1	1	1	1	1												
6	12023617	CUBETA	DRAIN BOWL	1	1	1	1	1	1	1	1												
7	12009997	ABRAZADERA 25-40	Worm clamp 25-40 mm	1	1	1	1	1	1	1	1												
8	12024114	MANGUERA DESAGÜE	DRAINING PIPE	1	1	1	1	1	1	1	1												



Drawing N.	Signature	Date	Device:	DRAINAGE BY PUMP	Version / Sheet
GW-04	Aitor U	02-2018	GLASSWASHERS GRAND 350 & 400		4

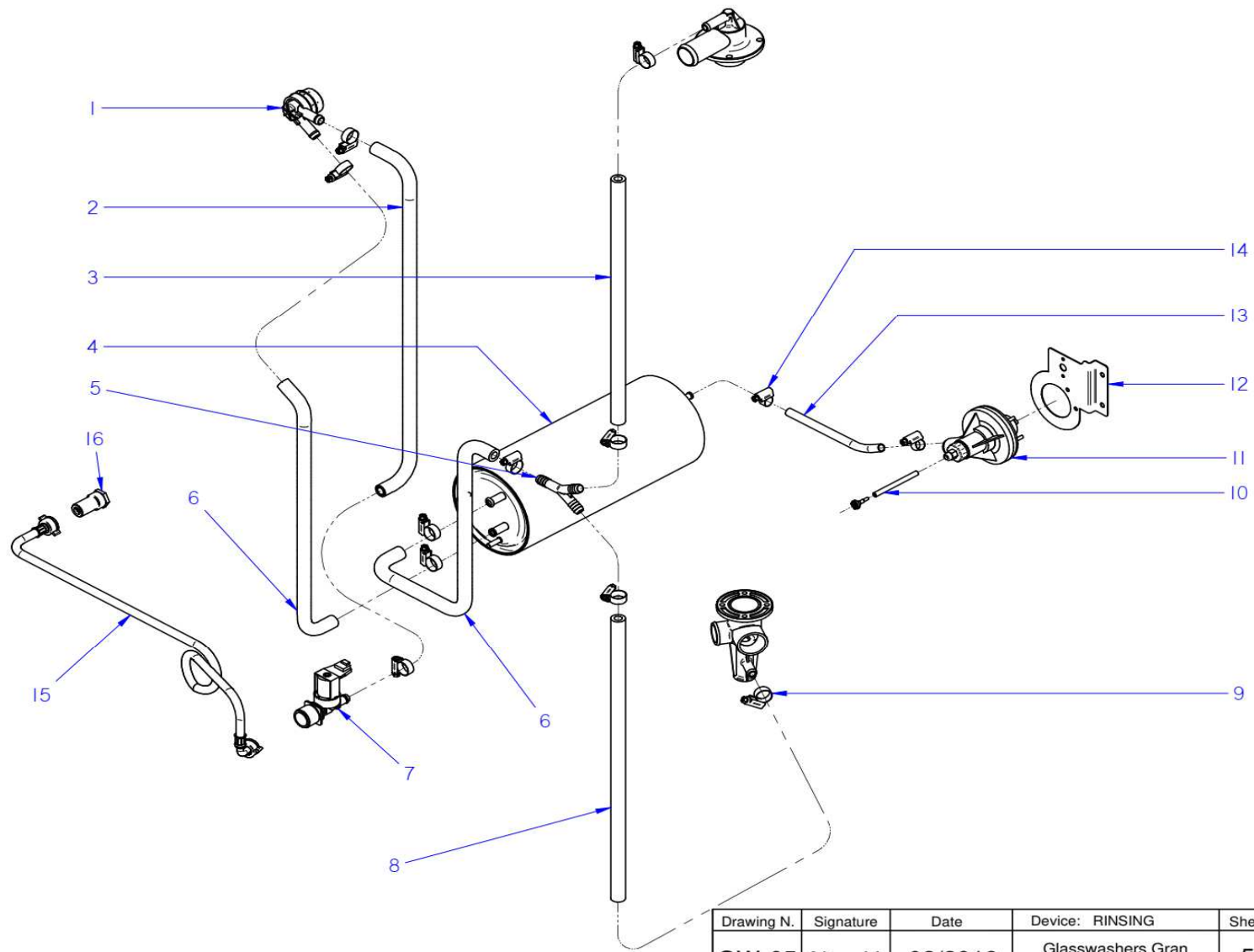
ZONA / ZONE          DESAGÜE MEDIANTE BOMBA/ DRAINING BY PUMP

LÁMINA / DRAWING          GW\_004

ITEM	REFERENCIA REFERENCE	DENOMINACIÓN	DENOMINATION	G-OEM-350 B	G-OEM-350 B DD	G-OEM-350 B UK	G-OEM-350 B DD UK	G-OEM-350 B SA	G-OEM-350 B DD SA	G-OEM-350 B SA UK	G-OEM-350 B DD SA UK						RECOMMENDED	ELIMINADO ELIMINATED	INTRODUCIDO INTRODUCED	NOTAS NOTES		
1	12133299	ALIVIADERO_CAMPANA_ASBER	OVERFLOW CORK GE MOD. B	1	1	1	1	1	1	1	1											
2	12104085	JUNTA TORIC 25.4X20.2X2.6	O-RING 25,4x20,2x2,6	1	1	1	1	1	1	1	1											
3	12092003	FILTRO CUBA LVS	DRAIN BOWL FILTER	1	1	1	1	1	1	1	1											
4	12025195	ABRAZADERA CUBETA COMPLETA	DRAIN BOWL CLAMP	1	1	1	1	1	1	1	1											
5	12024113	JUNTA CUBETA	DRAIN BOWL GASKET	1	1	1	1	1	1	1	1											
6	12023617	CUBETA	DRAIN BOWL	1	1	1	1	1	1	1	1											
7	12009997	ABRAZADERA 25-40	Worm clamp 25-40 mm	1	1	1	1	1	1	1	1											
8	12041928	CONDUCTO ASPIRACION BOMBA	PUMP INLET PIPE	1	1	1	1	1	1	1	1											
9	12094265	BOMBA DESAGÜE	DRAINING PUMP	1	1	1	1	1	1	1	1							27/10/2023				
9	12327922	BOMBA DESAGÜE	DRAINING PUMP	1	1	1	1	1	1	1	1						X		27/10/2023	Alternative 12094265		
10	12010023	ABRAZADERA 20-32	20-32 CLAMP	1	1	1	1	1	1	1	1											
11	12023666	MAGUERA DESAGÜE	DRAINING HOSE	1	1	1	1	1	1	1	1											

ITEM	REFERENCIA REFERENCE	DENOMINACIÓN	DENOMINATION	G-OEM-400 B	G-OEM-400 B DD	G-OEM-400 B UK	G-OEM-400 B DD UK	G-OEM-400 B SA	G-OEM-400 B DD SA	G-OEM-400 B SA UK	G-OEM-400 B DD SA UK									RECOMMENDED	ELIMINADO ELIMINATED	INTRODUCIDO INTRODUCED	NOTAS NOTES
1	12133299	ALIVIADERO_CAMPANA_ASBER	OVERFLOW CORK GE MOD. B	1	1	1	1	1	1	1	1												
2	12104085	JUNTA TORIC 25.4X20.2X2.6	O-RING 25,4x20,2x2,6	1	1	1	1	1	1	1	1												
3	12092003	FILTRO CUBA LVS	DRAIN BOWL FILTER	1	1	1	1	1	1	1	1												
4	12025195	ABRAZADERA CUBETA COMPLETA	DRAIN BOWL CLAMP	1	1	1	1	1	1	1	1												
5	12024113	JUNTA CUBETA	DRAIN BOWL GASKET	1	1	1	1	1	1	1	1												
6	12023617	CUBETA	DRAIN BOWL	1	1	1	1	1	1	1	1												
7	12009997	ABRAZADERA 25-40	Worm clamp 25-40 mm	1	1	1	1	1	1	1	1												
8	12041928	CONDUCTO ASPIRACION BOMBA	PUMP INLET PIPE	1	1	1	1	1	1	1	1												
9	12094265	BOMBA DESAGÜE	DRAINING PUMP	1	1	1	1	1	1	1	1									X			
10	12010023	ABRAZADERA 20-32	20-32 CLAMP	1	1	1	1	1	1	1	1												
11	12023666	MAGUERA DESAGÜE	DRAINING HOSE	1	1	1	1	1	1	1	1												

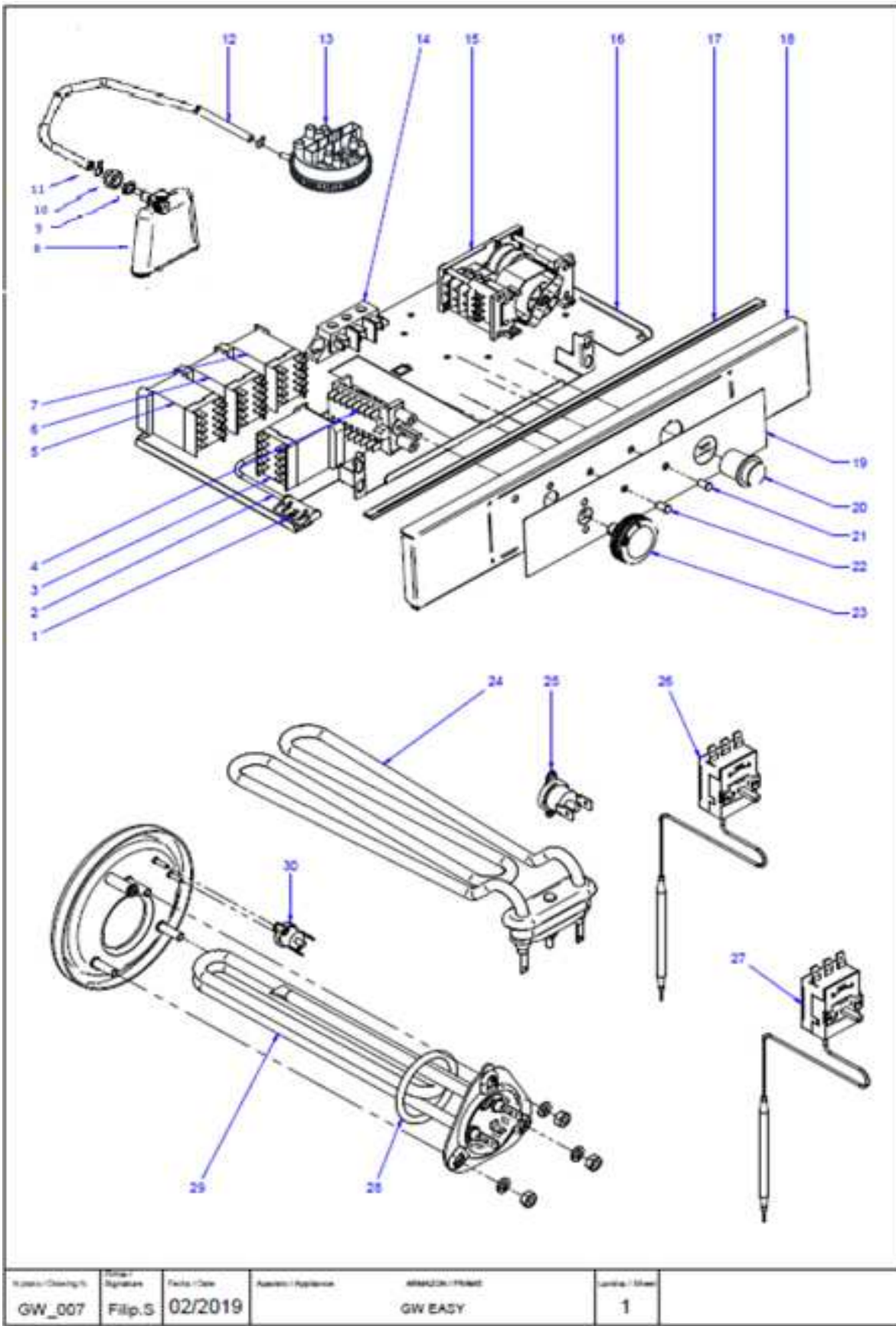




Drawing N.	Signature	Date	Device: RINSING	Sheet	ONNERA POLAND
GW-05	Aitor U.	02/2018	Glasswashers Gran 350&400	5.	

ITEM	REFERENCIA REFERENCE	DENOMINACIÓN	DENOMINATION	G-OEM-350	G-OEM-350 B	G-OEM-350 DD	G-OEM-350 B DD	G-OEM-350 UK	G-OEM-350 B UK	G-OEM-350 DD UK	G-OEM-350 B DD UK	G-OEM-350 RD	G-OEM-350 RD B	G-OEM-350 RD DD	G-OEM-350 RD B DD	RECOMMENDED	ELIMINADO ELIMINATED	INTRODUCIDO INTRODUCED	NOTAS NOTES
1	12184836	VALVULA ANTIRRETORNO	NON-RETURN VALVE	1	1	1	1	1	1	1	1	1	1	1	1				
2	12245967	CONDUCTO EV-ANTIRRETORNO	EV - NON-RETURN VALVE HOSE	1	1	1	1	1	1	1	1	1	1	1	1				
3	12149964	CONDUCTO ACLARADO SUPERIOR	UPPER RINSE ARM HOSE	1	1	1	1	1	1	1	1	1	1	1	1				
4	12139525	CALDERIN LVS	GW BOILER	1	1	1	1	1	1	1	1	1	1	1	1				
5	12023511	RACORD Y	Y FITTING	1	1	1	1	1	1	1	1	1	1	1	1				
6	12245966	CONDUCTO CALDERIN RACORD	BOILER FITTING PIPE	2	2	2	2	2	2	2	2	2	2	2	2				
7	12025161	ELECTROVALVULA 1 VIA	1 WAY ELECTROVALVE	1	1	1	1	1	1	1	1	1	1	1	1	X			
8	12149967	CONDUCTO ACLARADO INFERIOR	LOWER RINSE ARM HOSE	1	1	1	1	1	1	1	1	1	1	1	1				
9	12041731	ABRAZADERA 12-22	12-22 CLAMP	10	10	10	10	10	10	10	10	10	10	10	10				
10	12024139	CONDUCTO ASPIRACION DET.	DETERGENT ASPIRATION PIPE	1	1	1	1	1	1	1	1	1	1	1	1				
11	12133010	DOSIFICADOR ABRILLANTADOR	RINSE AID DISPENSER	1	1	1	1	1	1	1	1	-	-	-	-	X			
11	12132254	DISPENSADOR DE ABRILLANTADOR E	ELECTRIC RINSE AID DISPENSER	-	-	-	-	-	-	-	-	1	1	1	1				
12	12139530	SOPORTE DOSIFICADOR	DISPENSER HOLDER GW-350	1	1	1	1	1	1	1	1	1	1	1	1				
13	12149969	CONDUCTO DOSIFICAROD CALDERIN	DISPENSER-BOILER HOSE	1	1	1	1	1	1	1	1	1	1	1	1				
14	12177710	ABRAZADERA 8-12	8-12 CLAMP	2	2	2	2	2	2	2	2	2	2	2	2				

ITEM	REFERENCIA REFERENCE	DENOMINACIÓN	DENOMINATION	G-OEM-400	G-OEM-400 B	G-OEM-400 DD	G-OEM-400 B DD	G-OEM-400 UK	G-OEM-400 B UK	G-OEM-400 DD UK	G-OEM-400 B DD UK	G-OEM-400	G-OEM-400 B	G-OEM-400 DD	G-OEM-400 B DD	RECOMMENDED	ELIMINADO ELIMINATED	INTRODUCIDO INTRODUCED	NOTAS NOTES
1	12184836	VALVULA ANTIRRETORNO	NON-RETURN VALVE	1	1	1	1	1	1	1	1	1	1	1	1				
2	12245967	CONDUCTO EV-ANTIRRETORNO	EV - NON-RETURN VALVE HOSE	2	2	2	2	2	2	2	2	2	2	2	2				
3	12149966	CONDUCTO ACLARADO SUPERIOR	UPPER RINSE ARM HOSE	1	1	1	1	1	1	1	1	1	1	1	1				
4	12139525	CALDERIN LVS	GW BOILER	1	1	1	1	1	1	1	1	1	1	1	1				
5	12024192	RACORD EN CRUZ	CROSS FITTING	1	1	1	1	1	1	1	1	1	1	1	1				
6	12245966	CONDUCTO CALDERIN RACORD	BOILER FITTING PIPE	2	2	2	2	2	2	2	2	2	2	2	2				
7	12023794	ELECTROVALVULA DOBLE	2 WAY ELECTROVALVE	1	1	1	1	1	1	1	1	1	1	1	1	X			
8	12149968	CONDUCTO ACLARADO INFERIOR	LOWER RINSE ARM HOSE	1	1	1	1	1	1	1	1	1	1	1	1				
9	12041731	ABRAZADERA 12-22	12-22 CLAMP	12	12	12	12	12	12	12	12	12	12	12	12				
10	12024139	CONDUCTO ASPIRACION DET.	DETERGENT ASPIRATION PIPE	1	1	1	1	1	1	1	1	1	1	1	1				
11	12133010	DOSIFICADOR ABRILLANTADOR	RINSE AID DISPENSER	1	1	1	1	1	1	1	1	1	1	1	1	X			
11	12132254	DISPENSADOR DE ABRILLANTADOR E	ELECTRIC RINSE AID DISPENSER	-	-	-	-	-	-	-	-	-	1	1	1				
12	12139530	SOPORTE DOSIFICADOR	DISPENSER HOLDER GW-350	1	1	1	1	1	1	1	1	1	1	1	1				
13	12149969	CONDUCTO DOSIFICAROD CALDERIN	DISPENSER-BOILER HOSE	1	1	1	1	1	1	1	1	1	1	1	1				
14	12177710	ABRAZADERA 8-12	8-12 CLAMP	2	2	2	2	2	2	2	2	2	2	2	2				
15	12025198	MANGUERA ENTRADA AGUA	WATER INTAKE HOSE	1	1	1	1	1	1	1	1	1	1	1	1				
15	12115397	MANGUERA ENTR. WATERMARK	WATERMARK INTAKE HOSE	1	1	1	1	1	1	1	1	1	1	1	1				only for AU option
16	12115508	VALVULA ANTIRR. WATERMARK	NON-RET. VALVE WATERMARK	1	1	1	1	1	1	1	1	1	1	1	1				only for AU option



Number / Drawing No.	Project / Signature	Field / Date	Revision / Population	MANUFACTURER	Version / Sheet
GW_007	Filip.S	02/2019		GW EASY	1



ITEM	REFERENCIA REFERENCE	DENOMINACIÓN	DENOMINATION									RECOMMENDED	ELIMINADO ELIMINATED	INTRODUCIDO INTRODUCED	NOTAS NOTES	
				G-OEM-350	G-OEM-350 B	G-OEM-350 DD	G-OEM-350 B DD	G-OEM-350 UK	G-OEM-350 B UK	G-OEM-350 DD UK	G-OEM-350 B DD UK					
24	12090524	RESISTENCIA CUBA 2 kW	TANK HEATER 2 kW	1	1	1	1	1	1	1	1	1		X		
25	12090518	TERMOSTATO LIMITADOR CUBA	TANK SECURITY THERMOSTAT	1	1	1	1	1	1	1	1	1		X	5.07.2021	
25	12285236	TERMOSTATO LIMITADOR CUBA	TANK SECURITY THERMOSTAT	1	1	1	1	1	1	1	1	1		X		5.07.2021
26	12161299	TERMOSTATO 60°C	THERMOSTAT 60°C	1	1	1	1	1	1	1	1	1		X		
27	12134992	TERMOSTATO 27-85°C	THERMOSTAT 27-85°C	1	1	1	1	1	1	1	1	1		X		
28	12102062	JUNTA TORICA 62,87x73,53x5,33	O-ring 62,87x73,53x5,33	1	1	1	1	1	1	1	1	1				
29	12093151	RESISTENCIA CALDERIN 2.4 Kw	BOILER HEATER 2.4 kW	1	1	1	1	1	1	1	1	1		X		
30	12256229	TERMOSTATO LIMITADOR CALDERIN	BOILER SECURITY THERMOSTAT	1	1	1	1	1	1	1	1	1				



ZONA / ZONE	PARTE FUNCIONAL ELECTRICA/ ELECTRIC FUNCTIONAL PART
-------------	---

LÁMINA / DRAWING	GW_007
------------------	--------

ITEM	REFERENCIA REFERENCE	DENOMINACIÓN	DENOMINATION	G-OEM-400	G-OEM-400 B	G-OEM-400 DD	G-OEM-400 B DD	G-OEM-400 UK	G-OEM-400 B UK	G-OEM-400 DD UK	G-OEM-400 B DD UK							RECOMMENDED	ELIMINADO ELIMINATED	INTRODUCIDO INTRODUCED	NOTAS NOTES
24	12090524	RESISTENCIA CUBA 2 kW	TANK HEATER 2 kW	1	1	1	1	1	1	1	1							X			
25	12256229	TERMOSTATO LIMITADOR CUBA	TANK SECURITY THERMOSTAT	1	1	1	1	1	1	1	1							X			
26	12161299	TERMOSTATO 60°C CUBA	THERMOSTAT 60°C TANK	1	1	1	1	1	1	1	1							X			
27	12134992	TERMOSTATO 27-85°C CALDERIN	THERMOSTAT 27-85°C BOILER	1	1	1	1	1	1	1	1							X			
28	12102062	JUNTA TORICA 62,87x73,53x5,33	O-ring 62,87x73,53x5,33	1	1	1	1	1	1	1	1										
29	12093124	RESISTENCIA CALDERIN 2.8 Kw	BOILER HEATER 2.8 kW	1	1	1	1	-	-	-	-							X			
29	12093151	RESISTENCIA CALDERIN 2.4 Kw	BOILER HEATER 2.4 kW	-	-	-	-	1	1	1	1							X			
30	12256229	TERMOSTATO LIMITADOR CALDERIN	BOILER SECURITY THERMOSTAT	1	1	1	1	1	1	1	1										

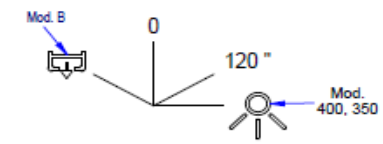
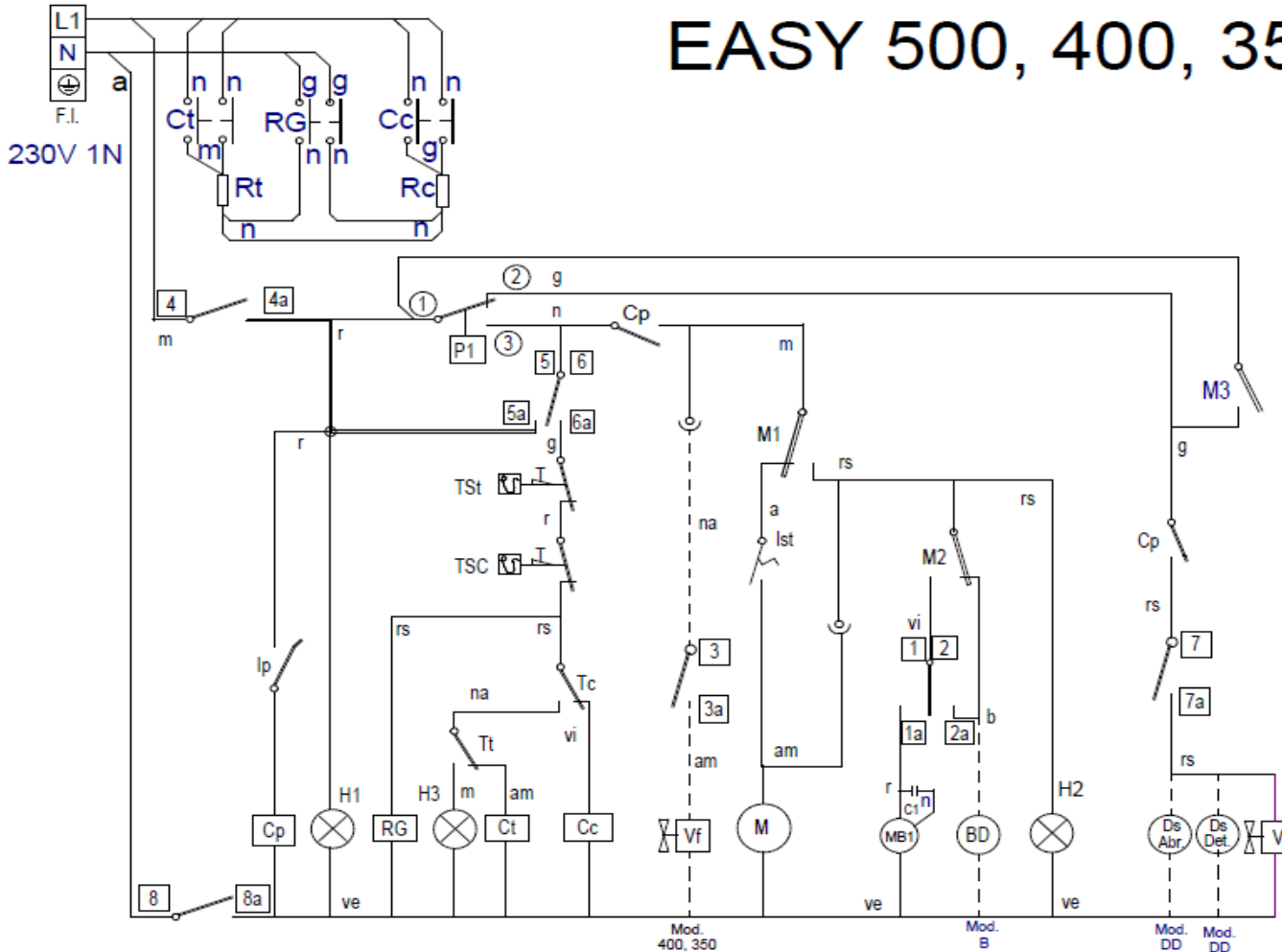


ZONA / ZONE	VARIOS / MISCELLANEOUS
-------------	------------------------

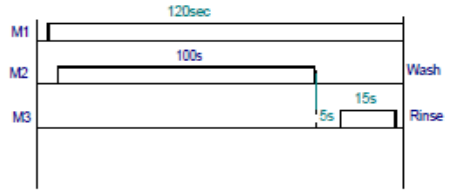
LÁMINA / DRAWING	
------------------	--

ITEM	REFERENCIA REFERENCE	DENOMINACIÓN	DENOMINATION	G-OEM-350 (B DD SA)	G-OEM-400 (B DD SA)	G-OEM-350 (B DD SA) UK	G-OEM-400 (B DD SA) UK										RECOMMENDED	ELIMINADO ELIMINATED	INTRODUCIDO INTRODUCED	NOTAS NOTES
	12130648	ESQUEMA TEÓRICO LVS EASY	EASY GW THEORETICAL DIAGRAM	1	1	1	1													
	12136918	LVS ESQUEMA MONTAJE	GW ASSEMBLY DIAGRAM	1	1	1	1													
	12024183	CABLEADO TIERRA BOMBA LAVADO	PUMP EARTH WIRING	1	1	1	1													
	12134328	INSTALACION ELECTRICA LVS EASY	EASY GW WIRING SYSTEM	1	1	1	1										14/09/2020			
	12259732	INSTALACION ELECTRICA LVS EASY	EASY-350 & 400 WIRING	1	1	1	1											14/09/2020	8102102710	
	12023746	CABLE DE ALIMENTACION EU	EU POWER CORD	1	1	1	1													
	12025112	CABLE DE ALIMENTACION UK	UK POWER CORD	-	-	1	1													
	12136692	CONDENSADOR 33 µF	33 µF CONDENSADER	2	2	2	2													
	12160496	CABLE ADAPTADOR LEDS	LED ADAPTER WIRE	2	2	2	2													

# EASY 500, 400, 350, B, DD



IG	1-1a	2-2a	3-3a	4-4a	5-5a	6-6a	7-7a	8-8a
⌋		X		X	X			X
0								
120	X			X		X	X	X
⌋	X		X	X		X	X	X

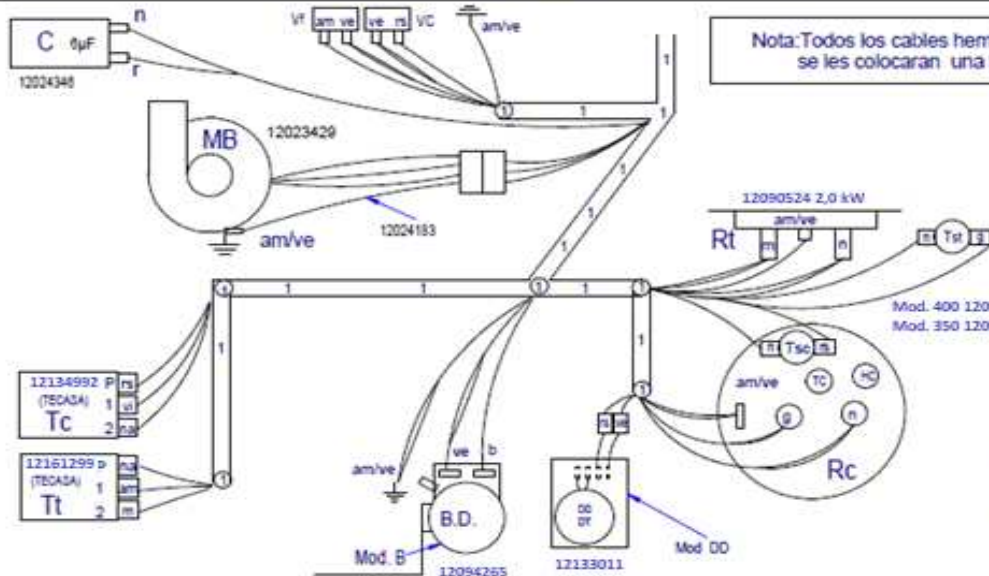
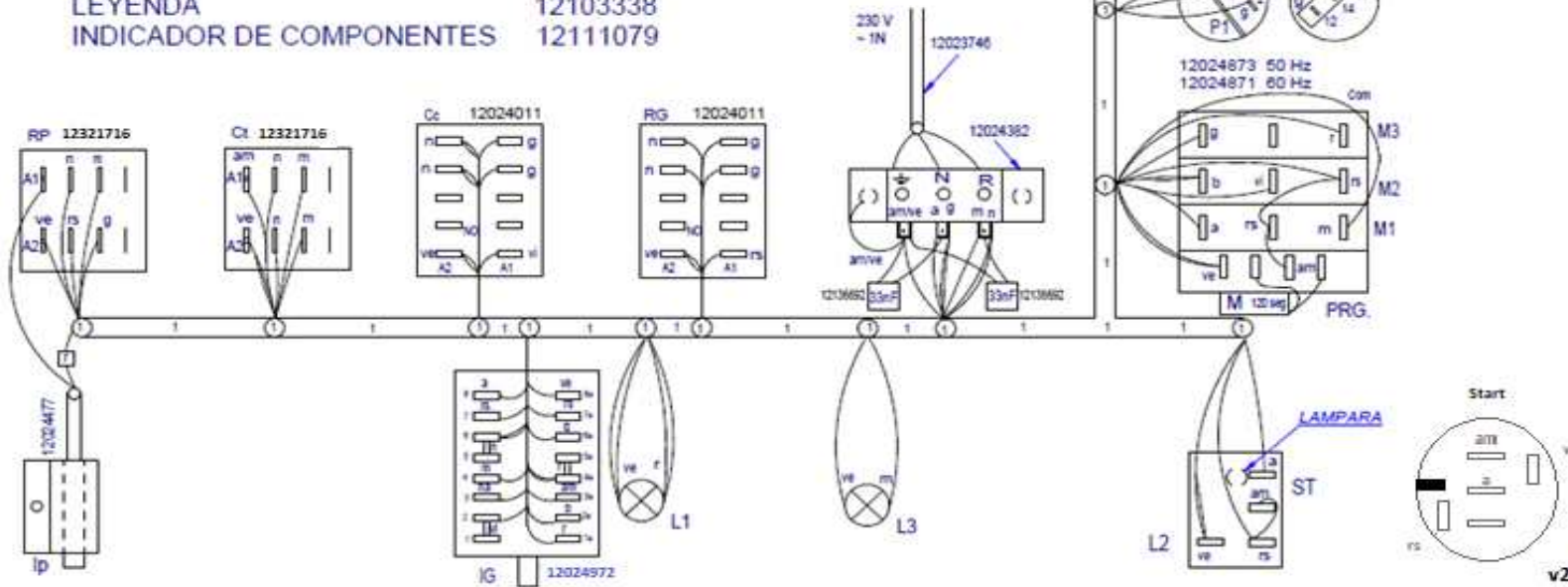


12130648

- Esquema Teorico EASY 500				- 12130648			
Nº	TITLE			QTY	CODE	MATERIAL	TREATMENT
TOLERANCES	GENERAL TOLERANCES:			ISO 2768-1			
				Very Coarse			
	Dev.	±0.20	±0.10	±0.15	±0.20	±0.30	±0.40
	Max	±0.20	±0.10	±0.20	±0.30	±0.40	±0.50
	Min	±0.10	±0.05	±0.10	±0.15	±0.20	±0.25
	Max	±0.10	±0.05	±0.10	±0.15	±0.20	±0.25
	Min	±0.05	±0.02	±0.05	±0.07	±0.10	±0.15
	Max	±0.05	±0.02	±0.05	±0.07	±0.10	±0.15
	Min	±0.02	±0.01	±0.02	±0.03	±0.05	±0.07
	Max	±0.02	±0.01	±0.02	±0.03	±0.05	±0.07
ISO 2768-2				LAVAVAJILLAS			
DESIGNED BY		VALIDATED BY		DATE		SHEET	
M.MAILLO		A.G.		09.11.2015		1 / 1	
12130648				REVISION			
PROPOSED BY:		M.MAILLO		ISSUE DATE:			

ESQUEMA TEORICO  
LEYENDA  
INDICADOR DE COMPONENTES

12130648  
12103338  
12111079



# Montaje Easy 400

Montaje lavavasos Asber Easy 400		12136918																																																																																																																																																																																																																																																											
NP	TITULO	QTY	CODE	MATERIAL	TREATMENT																																																																																																																																																																																																																																																								
GENERAL TOLERANCES: ISO 2768-1 Very Coarse																																																																																																																																																																																																																																																													
<table border="1"> <thead> <tr> <th>Symbol</th> <th>Material</th> <th>Value</th> <th>Unit</th> <th>Symbol</th> <th>Material</th> <th>Value</th> <th>Unit</th> </tr> </thead> <tbody> <tr> <td>±</td> <td></td> <td>0.1</td> <td>mm</td> <td>±</td> <td></td> <td>0.1</td> <td>mm</td> </tr> <tr> <td>±</td> <td></td> <td>0.2</td> <td>mm</td> <td>±</td> <td></td> <td>0.2</td> <td>mm</td> </tr> <tr> <td>±</td> <td></td> <td>0.3</td> <td>mm</td> <td>±</td> <td></td> <td>0.3</td> <td>mm</td> </tr> <tr> <td>±</td> <td></td> <td>0.4</td> <td>mm</td> <td>±</td> <td></td> <td>0.4</td> <td>mm</td> </tr> <tr> <td>±</td> <td></td> <td>0.5</td> <td>mm</td> <td>±</td> <td></td> <td>0.5</td> <td>mm</td> </tr> <tr> <td>±</td> <td></td> <td>0.6</td> <td>mm</td> <td>±</td> <td></td> <td>0.6</td> <td>mm</td> </tr> <tr> <td>±</td> <td></td> <td>0.7</td> <td>mm</td> <td>±</td> <td></td> <td>0.7</td> <td>mm</td> </tr> <tr> <td>±</td> <td></td> <td>0.8</td> <td>mm</td> <td>±</td> <td></td> <td>0.8</td> <td>mm</td> </tr> <tr> <td>±</td> <td></td> <td>0.9</td> <td>mm</td> <td>±</td> <td></td> <td>0.9</td> <td>mm</td> </tr> <tr> <td>±</td> <td></td> <td>1.0</td> <td>mm</td> <td>±</td> <td></td> <td>1.0</td> <td>mm</td> </tr> <tr> <td>±</td> <td></td> <td>1.2</td> <td>mm</td> <td>±</td> <td></td> <td>1.2</td> <td>mm</td> </tr> <tr> <td>±</td> <td></td> <td>1.5</td> <td>mm</td> <td>±</td> <td></td> <td>1.5</td> <td>mm</td> </tr> <tr> <td>±</td> <td></td> <td>2.0</td> <td>mm</td> <td>±</td> <td></td> <td>2.0</td> <td>mm</td> </tr> <tr> <td>±</td> <td></td> <td>2.5</td> <td>mm</td> <td>±</td> <td></td> <td>2.5</td> <td>mm</td> </tr> <tr> <td>±</td> <td></td> <td>3.0</td> <td>mm</td> <td>±</td> <td></td> <td>3.0</td> <td>mm</td> </tr> <tr> <td>±</td> <td></td> <td>4.0</td> <td>mm</td> <td>±</td> <td></td> <td>4.0</td> <td>mm</td> </tr> <tr> <td>±</td> <td></td> <td>5.0</td> <td>mm</td> <td>±</td> <td></td> <td>5.0</td> <td>mm</td> </tr> <tr> <td>±</td> <td></td> <td>6.0</td> <td>mm</td> <td>±</td> <td></td> <td>6.0</td> <td>mm</td> </tr> <tr> <td>±</td> <td></td> <td>8.0</td> <td>mm</td> <td>±</td> <td></td> <td>8.0</td> <td>mm</td> </tr> <tr> <td>±</td> <td></td> <td>10.0</td> <td>mm</td> <td>±</td> <td></td> <td>10.0</td> <td>mm</td> </tr> <tr> <td>±</td> <td></td> <td>12.0</td> <td>mm</td> <td>±</td> <td></td> <td>12.0</td> <td>mm</td> </tr> <tr> <td>±</td> <td></td> <td>15.0</td> <td>mm</td> <td>±</td> <td></td> <td>15.0</td> <td>mm</td> </tr> <tr> <td>±</td> <td></td> <td>20.0</td> <td>mm</td> <td>±</td> <td></td> <td>20.0</td> <td>mm</td> </tr> <tr> <td>±</td> <td></td> <td>25.0</td> <td>mm</td> <td>±</td> <td></td> <td>25.0</td> <td>mm</td> </tr> <tr> <td>±</td> <td></td> <td>30.0</td> <td>mm</td> <td>±</td> <td></td> <td>30.0</td> <td>mm</td> </tr> <tr> <td>±</td> <td></td> <td>40.0</td> <td>mm</td> <td>±</td> <td></td> <td>40.0</td> <td>mm</td> </tr> <tr> <td>±</td> <td></td> <td>50.0</td> <td>mm</td> <td>±</td> <td></td> <td>50.0</td> <td>mm</td> </tr> <tr> <td>±</td> <td></td> <td>60.0</td> <td>mm</td> <td>±</td> <td></td> <td>60.0</td> <td>mm</td> </tr> <tr> <td>±</td> <td></td> <td>80.0</td> <td>mm</td> <td>±</td> <td></td> <td>80.0</td> <td>mm</td> </tr> <tr> <td>±</td> <td></td> <td>100.0</td> <td>mm</td> <td>±</td> <td></td> <td>100.0</td> <td>mm</td> </tr> </tbody> </table>						Symbol	Material	Value	Unit	Symbol	Material	Value	Unit	±		0.1	mm	±		0.1	mm	±		0.2	mm	±		0.2	mm	±		0.3	mm	±		0.3	mm	±		0.4	mm	±		0.4	mm	±		0.5	mm	±		0.5	mm	±		0.6	mm	±		0.6	mm	±		0.7	mm	±		0.7	mm	±		0.8	mm	±		0.8	mm	±		0.9	mm	±		0.9	mm	±		1.0	mm	±		1.0	mm	±		1.2	mm	±		1.2	mm	±		1.5	mm	±		1.5	mm	±		2.0	mm	±		2.0	mm	±		2.5	mm	±		2.5	mm	±		3.0	mm	±		3.0	mm	±		4.0	mm	±		4.0	mm	±		5.0	mm	±		5.0	mm	±		6.0	mm	±		6.0	mm	±		8.0	mm	±		8.0	mm	±		10.0	mm	±		10.0	mm	±		12.0	mm	±		12.0	mm	±		15.0	mm	±		15.0	mm	±		20.0	mm	±		20.0	mm	±		25.0	mm	±		25.0	mm	±		30.0	mm	±		30.0	mm	±		40.0	mm	±		40.0	mm	±		50.0	mm	±		50.0	mm	±		60.0	mm	±		60.0	mm	±		80.0	mm	±		80.0	mm	±		100.0	mm	±		100.0	mm
Symbol	Material	Value	Unit	Symbol	Material	Value	Unit																																																																																																																																																																																																																																																						
±		0.1	mm	±		0.1	mm																																																																																																																																																																																																																																																						
±		0.2	mm	±		0.2	mm																																																																																																																																																																																																																																																						
±		0.3	mm	±		0.3	mm																																																																																																																																																																																																																																																						
±		0.4	mm	±		0.4	mm																																																																																																																																																																																																																																																						
±		0.5	mm	±		0.5	mm																																																																																																																																																																																																																																																						
±		0.6	mm	±		0.6	mm																																																																																																																																																																																																																																																						
±		0.7	mm	±		0.7	mm																																																																																																																																																																																																																																																						
±		0.8	mm	±		0.8	mm																																																																																																																																																																																																																																																						
±		0.9	mm	±		0.9	mm																																																																																																																																																																																																																																																						
±		1.0	mm	±		1.0	mm																																																																																																																																																																																																																																																						
±		1.2	mm	±		1.2	mm																																																																																																																																																																																																																																																						
±		1.5	mm	±		1.5	mm																																																																																																																																																																																																																																																						
±		2.0	mm	±		2.0	mm																																																																																																																																																																																																																																																						
±		2.5	mm	±		2.5	mm																																																																																																																																																																																																																																																						
±		3.0	mm	±		3.0	mm																																																																																																																																																																																																																																																						
±		4.0	mm	±		4.0	mm																																																																																																																																																																																																																																																						
±		5.0	mm	±		5.0	mm																																																																																																																																																																																																																																																						
±		6.0	mm	±		6.0	mm																																																																																																																																																																																																																																																						
±		8.0	mm	±		8.0	mm																																																																																																																																																																																																																																																						
±		10.0	mm	±		10.0	mm																																																																																																																																																																																																																																																						
±		12.0	mm	±		12.0	mm																																																																																																																																																																																																																																																						
±		15.0	mm	±		15.0	mm																																																																																																																																																																																																																																																						
±		20.0	mm	±		20.0	mm																																																																																																																																																																																																																																																						
±		25.0	mm	±		25.0	mm																																																																																																																																																																																																																																																						
±		30.0	mm	±		30.0	mm																																																																																																																																																																																																																																																						
±		40.0	mm	±		40.0	mm																																																																																																																																																																																																																																																						
±		50.0	mm	±		50.0	mm																																																																																																																																																																																																																																																						
±		60.0	mm	±		60.0	mm																																																																																																																																																																																																																																																						
±		80.0	mm	±		80.0	mm																																																																																																																																																																																																																																																						
±		100.0	mm	±		100.0	mm																																																																																																																																																																																																																																																						
LAVAVAJILLAS				DESIGNED BY	M. MAILLO																																																																																																																																																																																																																																																								
12136918				VALIDATED BY	A. G.																																																																																																																																																																																																																																																								
REVISION				DATE	02.05.2019																																																																																																																																																																																																																																																								
PROPOSED BY				ISSUE DATE																																																																																																																																																																																																																																																									
				SHEET	1 / 1																																																																																																																																																																																																																																																								
				SCALE																																																																																																																																																																																																																																																									

	ESPAÑOL	ENGLISH	FRANCAIS	DUTSCH	ITALIANO	PORTUGUES
	Tierra de protección	Grounding	Mise à terre	toma de tierra? Erdung	Messa a terra	
P	Puente de Conexión	Terminal block bridge	Pontage pour bloc de jonction	Verbindungsblockanschluss	Ponte di connessione	
BA	Bomba Aclarado	Rinse pump	Pompe de rinçage	Spülmittel dosierpumpe	Pompa di risciacquo	
BD	Bomba desagüe	Drain pump	Pompe de vidange	Abflubpumpe	Pompa scarico	
C, C1, C2	Condensador	Capacitor	Condensateur	kondensator	Condensatore	
CMB	Contactora bomba lavado	Wash pump contactor	Contacteur pompe de lavage	Türelais	Contactore pompa lavaggio	
Cc	Contactora calentamiento calderin	Boiler heating contactor	Contacteur chauffage surchauffeur	Kontaktschutz Waschpumpe	Contactore riscaldamento boiler	
Ct	Contactora calentamiento tanque	Tank heating contactor	Contacteur chauffage cuve	Kontaktschutz Boilerheizung	Contactore riscaldamento serbatoio	
CP	Relé puerta	Door relay	Relais de porte	Kontaktschutz Heizung tank	Relé porta	
De, Abr	Dosificador Abrillantador	Dispenser	Distributeur	Kierspülmittel dosierpumpe	Dosatore brillantante	
De, Det.	Dosificador Detergente	Detergent dispenser	Distributeur de détergent	Dosierer Spülmittel	Dosatore detergente	
F	Fusible	Fuse	Fusible	Fuse	Fusibile	
H1	Lampara encendido	Operation light	Voyant fonctionnement	Betriebsanzeigelampe	Spia accensione	
H2, H5	Lampara de marcha	Start light	Voyant démarrage	Startanzeigelampe	Spia avvio	
H3	Lampara maquina preparada	Light machine ready	Voyant machine prêt	Betriebsbereitschaftsanzeigelampe	Pilota macchina preparata	
H4	Lampara falta Sal	Lamp salt missing	Lampe absence sel	Lampe Mangel Salz	Spia sale mancante	
HRS	Sistema recuperador energia	Heat Recovery System	Système de récupération de chaleur	System für Hitze-Rückgewinnung	Sistema con recupero di calore	
IG	Interruptor general	Main switch	Interrupteur général	Hauptschalter	Interruttore generale	
IP	Micro puerta	Door microswitch	Micro porte	Mikroschalter Tur	Micro porta	
let	Pulsador marcha	push button start	bouton de démarrage	Schalter (Ein)	Pulsante inizio	
L1 L2 L3	Fases Conexión Eléctrica	Power Supply Phases	Phases de alimentation	Stromanschlusphase	Fasi di alimentazione	
MB1, MB2	Bomba lavado	Wash Pump	Pompe de lavage	Waschpumpe	Pompa lavaggio	
M	Motor Programador lavado	Wash timer Motor	Programmeur Moteur lavage	Motor Programmiervorrichtung	Motore programmatore	
Mav, R	Motor Avance rapido Prg. Lav	Fast Forward Motor Prg. Wash	Moteur Avance rapide Prg. Lav	Motor Programmiervorrich. Betrieb	Motore programmatore avanzamento rapido	
M1, 2, 3, 4, 5	Micros Programador Lavado	Wash Programmer switch	laver micro-programmeur	Motor Programmiervorrich. Spülen	Micro programmatore di lavaggio	
M20, 21, 22, 23	Programador Regeneracion	Regeneration Timer	Programmeur régénération	Regenerierungsprogramm	Timer di regenerazione	
P	Puente	Electric bridge	Pont électrique	Elektrischestege	Ponte elettrico	
P1	Presostato Tanque	Tank Pressure switch	Pressostat de cuve	Tank Druckwächter	Pressostato serbatoio	
P2	Presostato Bomba desagüe	Drain pump Pressure switch	Pressostat de Pompe de vidange	Abflubpumpe Druckwächter	Pressostato pompa scarico	
P3	Presostato calderin	Boiler Pressure switch	Pressostat de surchauffeur	Boiler Druckwächter	Pressostato boiler	
PRG	Programador Electronico	Electric programmer	Programmeur électronique	Elektronischer Programmierer	Programmatore elettronico	
PRG P2	Puente Soft Start	Soft Start Jumper	Soft Start Cavalier	Soft Start Brücke	Ponte Soft Start	
Rc	Resistencia calderin	Boiler heating element	Resistance surchauffeur	Heizwiderstand Boiler	Resistenza boiler	
RG	Relé General	Main Relay	Relais principal	Stromversorgungsanschluß Gener.	Relé generale	
RST	Relé Marcha	Start up relay	Relais	Relais	Relé inizio	
Rt	Resistencia tanque	Tank heating element	Resistance cuve	Heizwiderstand tank	Resistenza serbatoio	
SC	Sonda Temperatura Calderin	Boiler temperature sensor	Surchauffeur capteur de température	Temperatursensor Boiler	Boiler sonda temperatura	
ST	Sonda Temperatura tanque	Tank temperature sensor	Cuve capteur de température	Temperatursensor Tank	Serbatoio sonda temperatura	
TC	Termostato calderin	Boiler thermostat	Thermostat surchauffeur	Thermostat kessel	Termostato boiler	
Tmp	Temporizador	Timer	Minuteur	Timer	Timer	
TRF	Transformador	Transformer	Transformateur	Transformator	Transformatore	
TSC	Termostato Limitador calderin	Boiler Hi-limit thermostat	Thermostat Limiteur surchauffeur	Begrenzer Boiler	Limitatore boiler	
TST	Termostato Limitador tanque	Tank Hi-limit thermostat	Thermostat Limiteur de cuve	Begrenzer tank	Limitatore serbatoio	
TT	Termostato tanque	Tank thermostat	Thermostat de cuve	Thermostat tank	Termostato serbatoio	
V	Electroválvula llenado	Water solenoid valve	Electrovanne d'eau	Elektroventil Füllen und Spülen	Elettroval.rimpimento e risciacquo	
Vf	Electroválvula agua Fria	Water solenoid valve	Electrovanne d'eau	Elektroventil Füllen und Spülen	Elettroval.rimpimento e risciacquo	
VR1, VR2, VR3, BR	Electrovalvulas Regeneracion	Regeneration solenoid valve	vanne de régénération	Regenerenventil	Valvola di rigenerazione	
	<b>COLOR</b>	<b>COLOUR</b>	<b>COULEURS</b>	<b>FARBEN</b>	<b>COLORE</b>	
a	= BLU	Azul	Blue	Bleu	Blu	
am	= YEL	Amarillo	Yellow	Jaune	Giallo	
am/ve	= YEL/GRN	Amarillo/Verde	Yellow / green	Jaune / vert	Giallo/ verde	
b	= WHT	Bianco	White	Blanc	Bianco	
g	= GRY	Gris	Grey	Gris	Grigio	
m	= BRN	Marron	Brown	Marron	Marrone	
n	= BLK	Negro	Black	Noir	Nero	
na	= ORG	Naranja	Orange	Orange	Arancio	
r	= RED	Rojo	Red	Rouge	Rosso	
rs	= PNK	Rosa	Pink	Rose	Rosa	
ve	= GRN	Verde	Green	Vert	Verde	
vi	= PRP	Violeta	Purple	Pourpre	Violeta	
			12103338			12103338