

ONNERA GROUP

DESPIECE TECNICO TECHNICAL PARTS

LAVA-VASOS
GLASS-WASHERS

MODELOS / MODELS

G-OEM-400 / B / DD / UK / SS

G-OEM-350 / B / DD / UK / SS

50Hz/60Hz

Vers.
Revised

February 2018

-

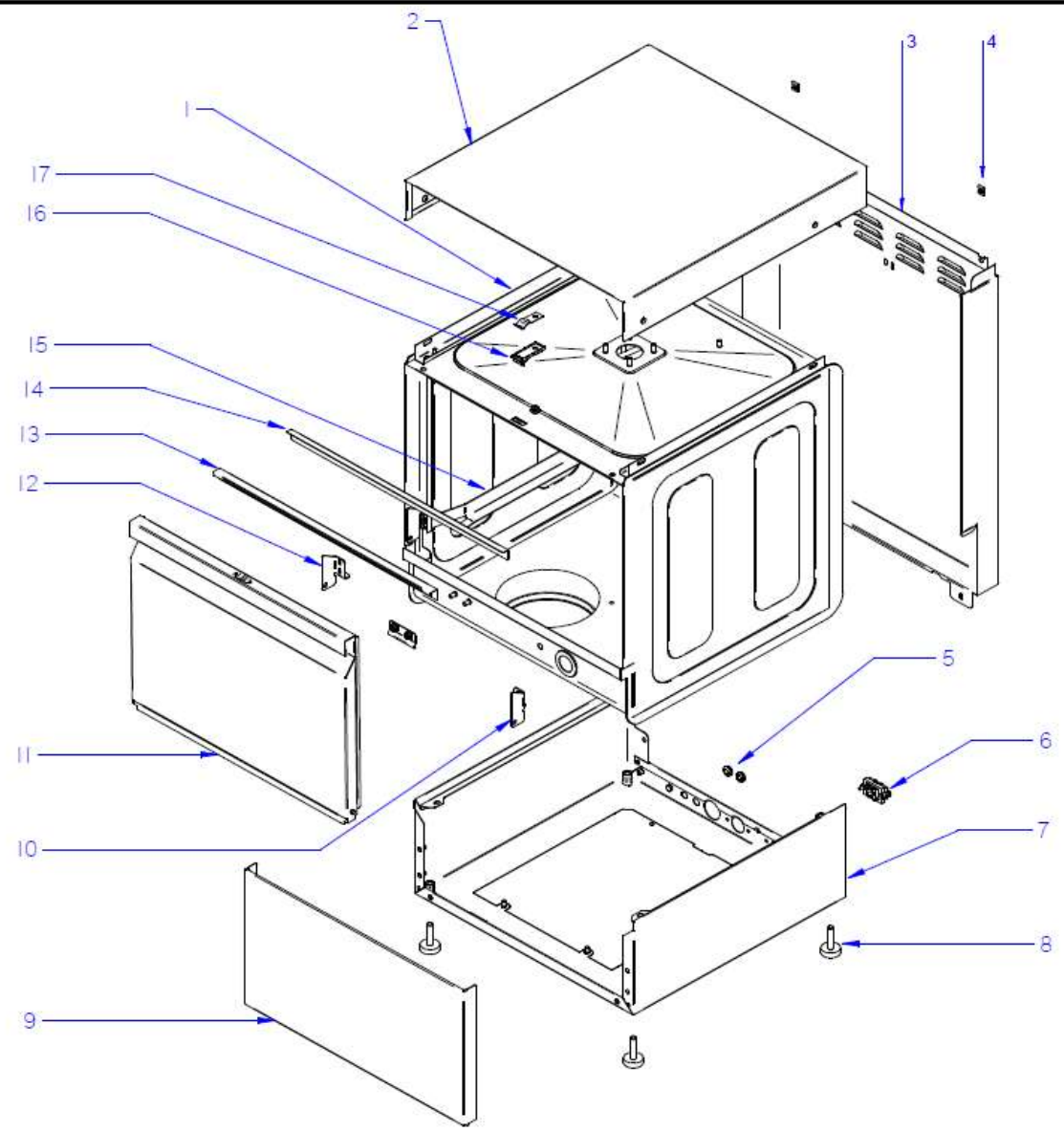
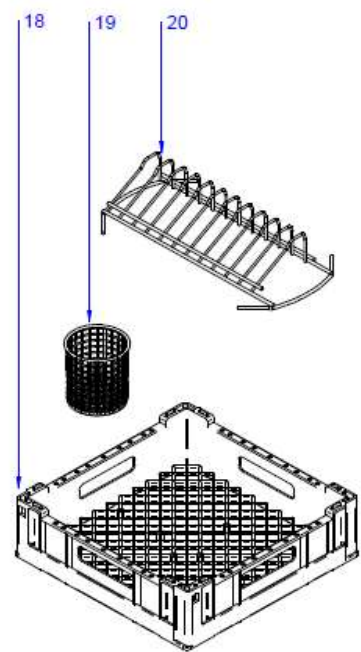
MODEL-DRAWING RELATION

MODEL	GW_001	GW_002	GW_003	GW_004	GW_005	GW_007
	Structure	Wash Functional Part	Gravity Drain	Drain Pump	Rinsing Functional Part	Electric Functional Part
GT-OEM-350	X	X	X		X	X
GT-OEM-350 DD	X	X	X		X	X
GT-OEM-350 B	X	X		X	X	X
GT-OEM-35 B DD	X	X		X	X	X
GT-OEM-350 SS	X	X	X		X	X
GT-OEM-350 DD SS	X	X	X		X	X
GT-OEM-350 B SS	X	X		X	X	X
GT-OEM-350 B DD SS	X	X		X	X	X
GT-OEM-350 UK	X	X	X		X	X
GT-OEM-350 DD UK	X	X	X		X	X
GT-OEM-350 B SS UK	X	X		X	X	X
GT-OEM-35 B DD UK	X	X		X	X	X
GT-OEM-350 SS UK	X	X	X		X	X
GT-OEM-350 DD SS UK	X	X	X		X	X
GT-OEM-350 B SS UK	X	X		X	X	X
GT-OEM-350 B DD SS UK	X	X		X	X	X
GT-OEM-400	X	X	X		X	X
GT-OEM-400 DD	X	X	X		X	X
GT-OEM-400 B	X	X		X	X	X
GT-OEM-400 B DD	X	X		X	X	X
GT-OEM-400 SS	X	X	X		X	X
GT-OEM-400 DD SS	X	X	X		X	X
GT-OEM-400 B SS	X	X		X	X	X
GT-OEM-400 B DD SS	X	X		X	X	X
GT-OEM-400 UK	X	X	X		X	X
GT-OEM-400 DD UK	X	X	X		X	X
GT-OEM-400 B SS UK	X	X		X	X	X
GT-OEM-400 B DD UK	X	X		X	X	X
GT-OEM-400 SS UK	X	X	X		X	X
GT-OEM-400 DD SS UK	X	X	X		X	X
GT-OEM-400 B SS UK	X	X		X	X	X
GT-OEM-400 B DD SS UK	X	X		X	X	X

- * Si su modelo no esta en la lista de planos, escoga la descripcion mas cercana
- * If your model does appear in the list of drawings, choose the closest description

OPTIONS	DESCRIPCIÓN	DESCRIPTION
B	Bomba de desagüe	Drain Pump
DD	Dosificador de detergente	Detergent dispenser
SS	Ramas de lavado en acero inoxidable	Rinsing arms in Stainless Steel
UK	Potencia de cuba y cable modificado para R.U	Modified Tank power and power cord for UK

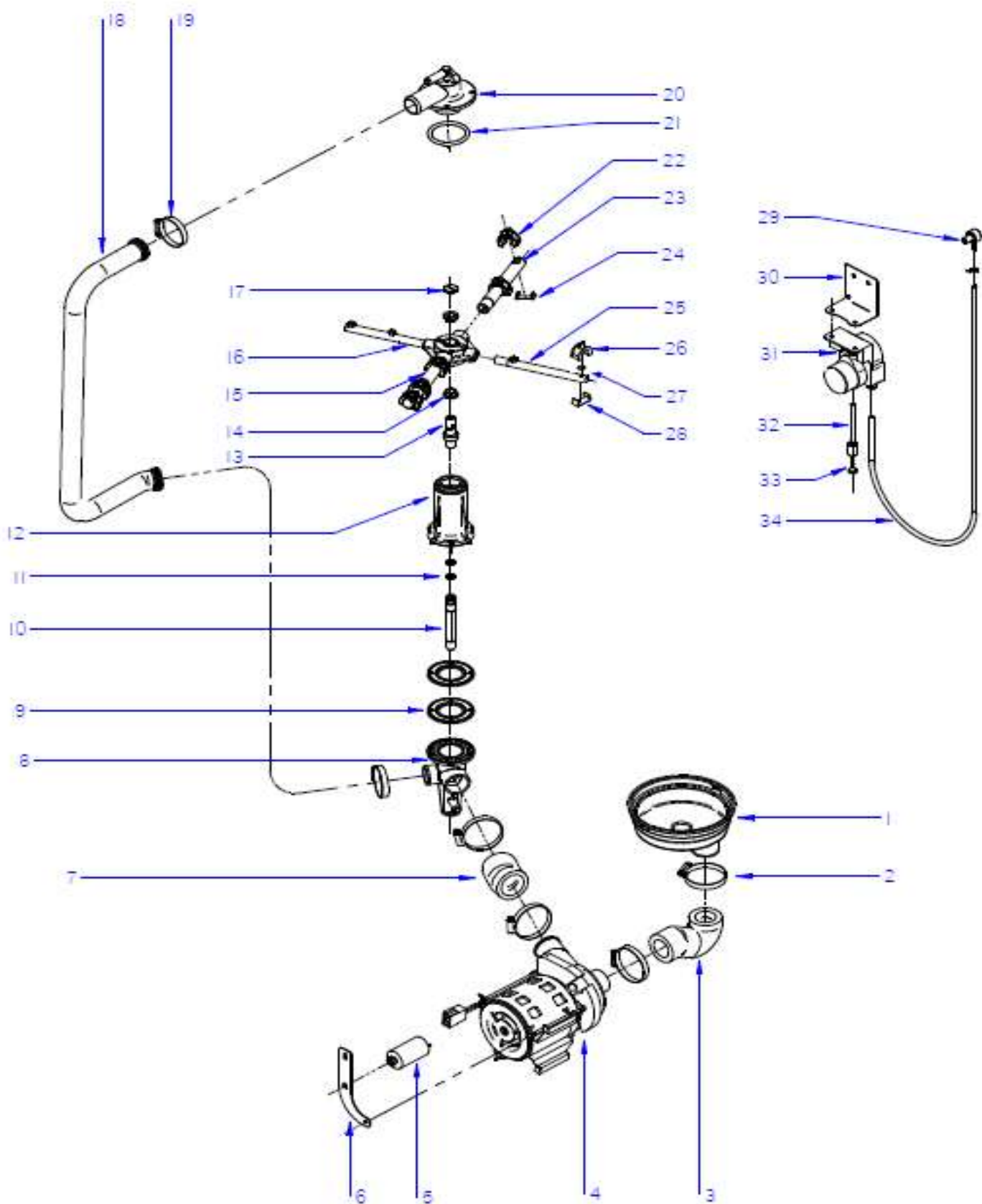
N. parte / Drawing N. GW_001	Firma / Signature Philips	Firma / Date 02/2018	Articolo / Appliance GLASS-WASHERS GRAND 350 & 400	ARMAZZONI / FRAME	Lamina / Sheet 1	ONNERA POLAND
--	--	--------------------------------	--	-------------------	----------------------------	----------------------



ZONA / ZONE	ARMAZON LAVA-VASOS / GW FRAME	LÁMINA / DRAWING	GW_001
-------------	-------------------------------	------------------	--------

ITEM	REFERENCIA REFERENCE	DENOMINACIÓN	DENOMINATION	G-OEM-350	G-OEM-350 B	G-OEM-350 DD	G-OEM-350 B DD	G-OEM-350 UK	G-OEM-350 B UK	G-OEM-350 DD UK	G-OEM-350 B DD UK								RECOMMENDED	ELIMINADO ELIMINATED	INTRODUCIDO INTRODUCED	NOTAS NOTES	
1	12021892	SOPORTE PANEL SUPERIOR 350	LID HOLDER 350	2	2	2	2	2	2	2	2												
2	12021892	SOPORTE PANEL SUPERIOR 350	LID HOLDER 350	2	2	2	2	2	2	2	2												
3	12139537	PANEL POSTERIOR 350	GW-350 BACK PANEL	1	1	1	1	1	1	1	1												
4	12010134	TUERCA RAPIDA M-5	M-5 FAST NUT	8	8	8	8	8	8	8	8												
5	12037842	PASAHILOS DE GOMA	RUBBER CONDUIT PROTECTOR	1	1	1	1	1	1	1	1												
6	12024230	RETENEDOR DE CABLE	COMPLETE GW-350 BASE	1	1	1	1	1	1	1	1												
7	12140246	BASE LAVAVASOS COMPLETO 350	COMPLETE GW-350 BASE	1	1	1	1	1	1	1	1												
8	12024163	PATA REGULABLE	ADJUSTABLE LEG	1	1	1	1	1	1	1	1												
9	12139531	PANEL FRONTAL INFERIOR 350	FRONT BOTTOM PANEL 350	1	1	1	1	1	1	1	1												
10	12048774	SOPORTE PUERTA DERECHA	RIGHT DOOR SUPPORT	1	1	1	1	1	1	1	1												
11	*	PUERTA COMPLETA 350	COMPLETE DOOR 350	1	1	1	1	1	1	1	1												
12	12048627	SOPORTE PUERTA IZQUIERDA	DOOR LEFT SUPPORT	1	1	1	1	1	1	1	1												
13	12102061	PERFIL JUNTA VAHOS 350	DOOR GASKET PROFILE 350	1	1	1	1	1	1	1	1												
14	12087200	PERFIL VAHOS 350	DOOR GASKET 350	1	1	1	1	1	1	1	1												
15	12049133	GUIA CESTILLO IZQU. 350	LEFT BASKET GUIDE 350	1	1	1	1	1	1	1	1												
S/Nº	12049135	GUIA CESTILLO DERECHA 350	RIGHT BASKET GUIDE 350	1	1	1	1	1	1	1	1												
16	12087183	MACHO CIERRE PUERTA	DOOR PLASTIC BLOCKER	1	1	1	1	1	1	1	1												
17	12087186	FLEJE CIERRE PUERTA	DOOR CLOSING SPRING PLATE	1	1	1	1	1	1	1	1												
18	12024550	CESTILLO 350	350 BASKET	2	2	2	2	2	2	2	2												
19	12025242	CESTILLO CUBIERTOS LVS	GW CUTTLERY BASKET	1	1	1	1	1	1	1	1												
20	12025030	SUPLEMENTO PLATILLOS LVS	DISH-HOLDER	-	-	-	-	-	-	-	-												

ITEM	REFERENCIA REFERENCE	DENOMINACIÓN	DENOMINATION	G-OEM-400	G-OEM-400 B	G-OEM-400 DD	G-OEM-400 B DD	G-OEM-400 UK	G-OEM-400 B UK	G-OEM-400 DD UK	G-OEM-400 B DD UK							RECOMMENDED	ELIMINADO ELIMINATED	INTRODUCIDO INTRODUCED	NOTAS NOTES	
1	12140262	PANEL SUPERIOR 400	GW-400 LID	1	1	1	1	1	1	1	1											
2	12170256	SOPORTE PANEL SUPERIOR 400	LID HOLDER 400	2	2	2	2	2	2	2	2											
3	12010134	TUERCA RAPIDA M-5	M-5 FAST NUT	8	8	8	8	8	8	8	8											
4	12140261	PANEL POSTERIOR 400	GW-400 BACK PANEL	1	1	1	1	1	1	1	1											
5	12037842	PASAHILOS DE GOMA	RUBBER CONDUIT PROTECTOR	1	1	1	1	1	1	1	1											
6	12024230	RETENEDOR DE CABLE	COMPLETE GW-350 BASE	1	1	1	1	1	1	1	1											
7	12140269	BASE LAVAVASOS COMPLETO 400	COMPLETE GW-400 BASE	1	1	1	1	1	1	1	1											
8	12024163	PATA REGULABLE	ADJUSTABLE LEG	1	1	1	1	1	1	1	1											
9	12140260	PANEL FRONTAL INFERIOR 400	FRONT BOTTOM PANEL 400	1	1	1	1	1	1	1	1											
10	12048774	SOPORTE PUERTA DERECHA	RIGHT DOOR SUPPORT	1	1	1	1	1	1	1	1											
11	*	PUERTA COMPLETA 400	COMPLETE DOOR 400	1	1	1	1	1	1	1	1											
12	12048627	SOPORTE PUERTA IZQUIERDA	DOOR LEFT SUPPORT	1	1	1	1	1	1	1	1											
13	12102035	PERFIL JUNTA VAHOS 400	DOOR GASKET PROFILE400	1	1	1	1	1	1	1	1											
14	12101867	PERFIL VAHOS 400	DOOR GASKET 400	1	1	1	1	1	1	1	1											
15	12102194	GUIA CESTILLO DERECHA 400	RIGHT BASKET GUIDE 400	1	1	1	1	1	1	1	1											
S/Nº	12102193	GUIA CESTILLO IZQU. 400	LEFT BASKET GUIDE 400	1	1	1	1	1	1	1	1											
16	12087183	MACHO CIERRE PUERTA	DOOR PLASTIC BLOCKER	1	1	1	1	1	1	1	1											
17	12087186	FLEJE CIERRE PUERTA	DOOR CLOSING SPRING PLATE	1	1	1	1	1	1	1	1											
18	12025069	CESTILLO 400	400 BASKET	2	2	2	2	2	2	2	2											
19	12025242	CESTILLO CUBIERTOS LVS	GW CUTTLERY BASKET	1	1	1	1	1	1	1	1											
20	12025030	SUPLEMENTO PLATILLOS LVS	DISH-HOLDER	1	1	1	1	1	1	1	1											



N. plano / Drawing N.
GW-002

Firma /
Signature
Aitor.U

Fecha / Date
02/2018

Apareto / Appliance PARTE FUNCIONAL LAVADO / WASHING FUNCTIONAL PART
GLASS-WASHERS GRAND-350 & 400

Lamina / Sheet
2

ONNERA POLAND

ZONA / ZONE	PARTE FUNCIONAL LAVADO / WASHING FUNCTIONAL PART
-------------	--

LAMINA / DRAWING	GW_002
------------------	--------

ITEM	REFERENCIA REFERENCE	DENOMINACIÓN	DENOMINATION	G-OEM-350	G-OEM-350 B	G-OEM-350 DD	G-OEM-350 B DD	G-OEM-350 SS	G-OEM-350 B SS	G-OEM-350 DD SS	G-OEM-350 B DD SS						RECOMMENDED	ELIMINADO ELIMINATED	INTRODUCIDO INTRODUCED	NOTAS NOTES
1	12023617	CUBETA_EVCO-21	Drainage Bowl GW	1	1	1	1	1	1	1	1									
S/N	12025195	ABRAZADERA CUBETA COMPLETA	Drainage Bowl Clamp GW	1	1	1	1	1	1	1	1									
2	12023670	CODO ASPIRACION	Wash Pump Inlet Pipe GW	1	1	1	1	1	1	1	1									
3	12009962	ABRAZADERA 40-60	40-60 CLAMP	4	4	4	4	4	4	4	4									
4	12023429	BOMBA LAVADO 50/60Hz 260 W	WASHIG 50/60Hz 260 W	1	1	1	1	1	1	1	1						X			
5	12024346	CONDENSADOR 10MF	10MF CAPACITOR	1	1	1	1	1	1	1	1									
6	12139529	SOPORTE BOMBA LAVADO 350	WASHIG PUMP HANGER 350	1	1	1	1	1	1	1	1									
7	12023607	CODO IMPULSION	Wash Pump Outlet Pipe GW	1	1	1	1	1	1	1	1									
8	12024703	PASAMUROS CESTO CUADRADO	Lower Outer Feedthrough GW	1	1	1	1	1	1	1	1									
9	12023533	JUNTA ESTANQUEIDAD	Bottom Feedthrough Gasket GW	2	2	2	2	2	2	2	2									
10	12023801	EMPALME ACLARADO	Rinsing Connector	1	1	1	1	1	1	1	1									
11	12009911	JUNTA TO.10.82X14.38X1.78	O-ring10,82x14,38x1,78	2	2	2	2	2	2	2	2									
12	12025133	SOPORTE INFER. CUADRO COM	Botton Feedthrough GW	1	1	1	1	1	1	1	1									
13	12025114	EJE_LAVAVASOS	Arm rotation central shaft GW	2	2	2	2	2	2	2	2									
14	12024086	CASQUILLO CRUCETA	Arm holder sleeve GW	4	4	4	4	4	4	4	4									
15	12019827	RAMA LAVADO A 350 INOX.	SS WASHING BRANCH A 350	-	-	-	-	2	2	2	2									
15	12024138	RAMA LAVADO A 350 PLÁSTICO	PLASTIC WASHING BRANCH A 350	2	2	2	2	-	-	-	-									
16	12020475	RAMA ACLARADO A 350 INOX.	SS RINSING BRANCH A 350	-	-	-	-	2	3	4	5									
16	12025253	RAMA ACLARADO A 350 PLÁSTICO	PLASTIC RINSING BRANCH A 350	2	2	2	2	-	-	-	-									
17	12009829	TORNILLO ESPECIAL M5X0.8	Screw special INOX M5X7MM	2	2	2	2	2	2	2	2									
18	12024059	ARBOL LAVADO 350	WASHING TREE 350	1	1	1	1	1	1	1	1									
19	12009986	ABRAZADERA 32-50L	Worm clamp 32-50mmL W2	2	2	2	2	2	2	2	2									
20	12023590	SOPORTE DISTRIBUIDOR SUPERIOR	Upper Feedthrough GW	1	1	1	1	1	1	1	1									
21	12010079	JUNTA TOR.50.17X60.83X5.3	O-RING 50,17x60,83x5,33	1	1	1	1	1	1	1	1									
22	12023732	TOBERA LAVADO	Washing Nozzle	10	10	10	10	10	10	10	10									
23	12020476	RAMA LAVADO B 350 INOX.	WASHING BRANCH B 350 SS	-	-	-	-	2	2	2	2									
23	12024137	RAMA LAVADO PLÁSTICO B 350	PLASTIC WASHING BRANCH B 350	2	2	2	2	-	-	-	-									
24	12023710	ENGANCHE TOBERA LAVADO	WASHING NOZZLE HOLDER	10	10	10	10	10	10	10	10									
25	12020476	RAMA ACLARADO B 350 INOX.	SS RINSING BRANCH B 350	-	-	-	-	2	2	2	2									
25	12024137	RAMA ACLARADO B 350	PLASTIC RINSING BRANCH B 350	2	2	2	2	-	-	-	-									

ZONA / ZONE	PARTE FUNCIONAL LAVADO / WASHING FUNCTIONAL PART
-------------	--

LAMINA / DRAWING	GW_002
------------------	--------

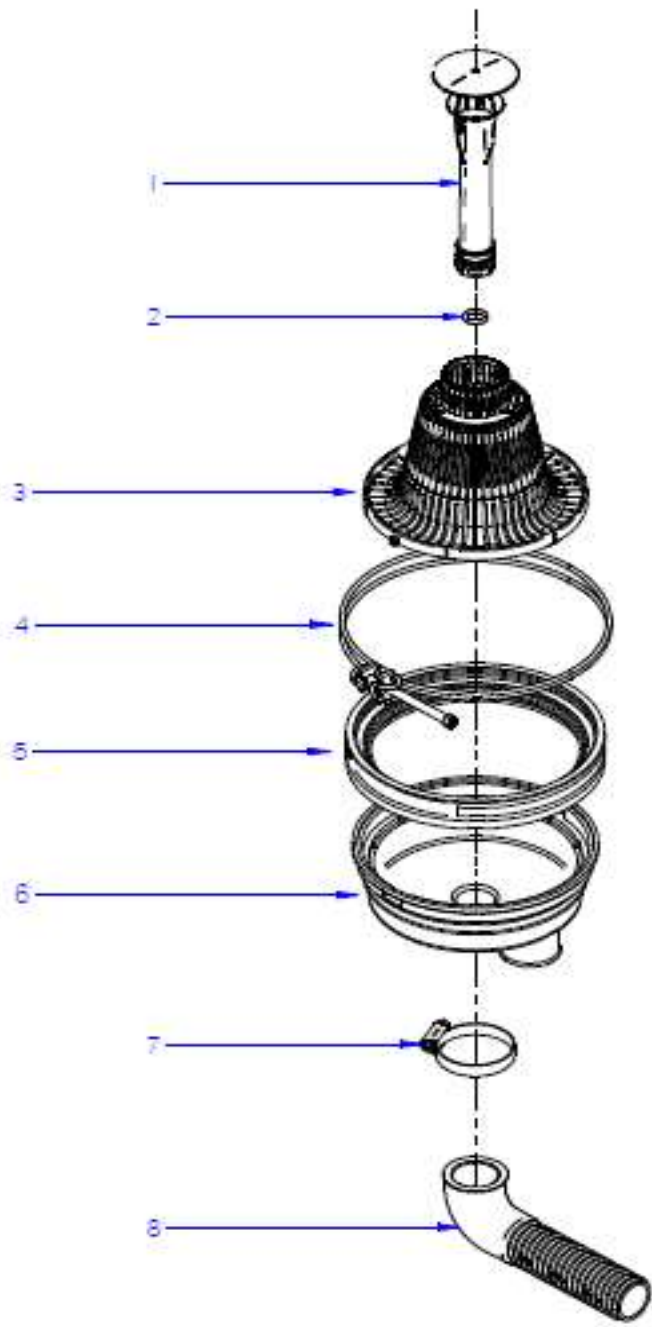
ITEM	REFERENCIA REFERENCE	DENOMINACIÓN	DENOMINATION	G-OEM-350	G-OEM-350 B	G-OEM-350 DD	G-OEM-350 B DD	G-OEM-350 SS	G-OEM-350 B SS	G-OEM-350 DD SS	G-OEM-350 B DD SS						RECOMMENDED	ELIMINADO ELIMINATED	INTRODUCIDO INTRODUCED	NOTAS NOTES	
26	12024252	TOBERA ACLARADO INOX.	SS RINSING NOZZLE	-	-	-	-	8	9	10	11										
26	12024077	TOBERA ACLARADO PLASTICO	PLASTIC RINSING NOZZLE	8	8	8	8	-	-	-	-										
27	12009912	JUNTA TOR. 5.28X8.84X1.78	O-RING 5,28x8,84x1,78	8	8	8	8	-	-	-	-										
28	12024006	ENGANCHE TOBERA ACLARADO	RINSE NOZZLE HOLDER	8	8	8	8	-	-	-	-										
	12182946	SET DISPENSADOR DETERGENTE LVS	GW DETERGENT DISPENSER SER	-	-	1	-	-	-	-	-										
29	12024531	PASAMUROS DETERGENTE	Detergent Feedthrough	-	-	1	1	1	1	1	1										
30	12140258	SOPORTE DOSIFICADOR	DISPENSER HOLDER	-	-	1	1	1	1	1	1										
31	12133011	DOSIFICADOR DE DETERGENTE	DETERGENT DISPENSER	-	-	1	1	1	1	1	1										
32	12024139	CONDUCTO ASPIRACION DET.	DETERGENT ASPIRATION PIPE	-	-	1	1	1	1	1	1										
33	12164632	PESO FILTRO	FILTER WEIGHT	-	-	1	1	1	1	1	1										
34	11000079	CONDUCTO DOSIF. TRANSP 6X4	DET. DISPENSER PIPE 6X4	-	-	1	1	1	1	1	1										

ZONA / ZONE	PARTE FUNCIONAL LAVADO / WASHING FUNCTIONAL PART
-------------	--

LAMINA / DRAWING	GW_002
------------------	--------

ITEM	REFERENCIA REFERENCE	DENOMINACIÓN	DENOMINATION	G-OEM-400	G-OEM-400 B	G-OEM-400 DD	G-OEM-400 B DD	G-OEM-400 SS	G-OEM-400 B SS	G-OEM-400 DD SS	G-OEM-400 B DD SS						RECOMMENDED	ELIMINADO ELIMINATED	INTRODUCIDO INTRODUCED	NOTAS NOTES
1	12023617	CUBETA_EVCO-21	Drainage Bowl GW	1	1	1	1	1	1	1	1									
	12025195	ABRAZADERA CUBETA COMPLETA	Drainage Bowl Clamp GW	1	1	1	1	1	1	1	1									
2	12023670	CODO ASPIRACION	Wash Pump Inlet Pipe GW	1	1	1	1	1	1	1	1									
3	12009962	ABRAZADERA 40-60	40-60 CLAMP	4	4	4	4	4	4	4	4									
4	12023429	BOMBA LAVADO 50/60Hz 260 W	WASHIG 50/60Hz 260 W	1	1	1	1	1	1	1	1									
5	12024346	CONDENSADOR 10MF	10MF CAPACITOR	1	1	1	1	1	1	1	1									
6	12140257	SOPORTE BOMBA LAVADO 400	WASHIG PUMP HANGER 400	1	1	1	1	1	1	1	1									
7	12023607	CODO IMPULSION	Wash Pump Outlet Pipe GW	1	1	1	1	1	1	1	1									
8	12024703	PASAMUROS CESTO CUADRADO	Lower Outer Feedthrough GW	1	1	1	1	1	1	1	1									
9	12023533	JUNTA ESTANQUEIDAD	Bottom Feedthrough Gasket GW	2	2	2	2	2	2	2	2									
10	12023801	EMPALME ACLARADO	Rinsing Connector	1	1	1	1	1	1	1	1									
11	12009911	JUNTA TO.10.82X14.38X1.78	O-ring10,82x14,38x1,78	2	2	2	2	2	2	2	2									
12	12025133	SOPORTE INFER. CUADRO COM	Botton Feedthrough GW	1	1	1	1	1	1	1	1									
13	12025114	EJE_LAVAVASOS	Arm rotation central shaft GW	2	2	2	2	2	2	2	2									
14	12024086	CASQUILLO CRUCETA	Arm holder sleeve GW	4	4	4	4	4	4	4	4									
15	12022381	RAMA LAVADO A 400 INOX.	SS WASHING BRANCH A 400	-	-	-	-	2	2	2	2									
15	12126179	RAMA LAVADO A 400 PLÁSTICO	PLASTIC WASHING BRANCH A 400	2	2	2	2	-	-	-	-									
16	12022613	RAMA ACLARADO A 400 INOX.	SS RINSING BRANCH A 400	-	-	-	-	2	3	4	5									
16	12023526	RAMA ACLARADO A 400 PLÁSTICO	PLASTIC RINSING BRANCH A 400	2	2	2	2	-	-	-	-									
17	12009829	TORNILLO ESPECIAL M5X0.8	Screw special INOX M5X7MM	2	2	2	2	2	2	2	2									
18	12025154	ARBOL LAVADO 400	WASHING TREE 400	1	1	1	1	1	1	1	1									
19	12009986	ABRAZADERA 32-50L	Worm clamp 32-50mmL W2	2	2	2	2	2	2	2	2									
20	12023590	SOPORTE DISTRIBUIDOR SUPERIOR	Upper Feedthrough GW	1	1	1	1	1	1	1	1									
21	12010079	JUNTA TOR.50.17X60.83X5.3	O-RING 50,17x60,83x5,33	1	1	1	1	1	1	1	1									
22	12023732	TOBERA LAVADO	Washing Nozzle	12	12	12	12	12	12	12	12									
23	12022382	RAMA LAVADO B 400 INOX.	WASHING BRANCH B 400 SS	-	-	-	-	2	2	2	2									
23	12126198	RAMA LAVADO PLÁSTICO B 400	PLASTIC WASHING BRANCH B 400	2	2	2	2	-	-	-	-									
24	12023710	ENGANCHE TOBERA LAVADO	WASHING NOZZLE HOLDER	12	12	12	12	12	12	12	12									
25	12022710	RAMA ACLARADO B 400 INOX.	SS RINSING BRANCH B 400	-	-	-	-	2	2	2	2									
25	12023525	RAMA ACLARADO B 400	PLASTIC RINSING BRANCH B 400	2	2	2	2	-	-	-	-									

ITEM	REFERENCIA REFERENCE	DENOMINACIÓN	DENOMINATION	G-OEM-400	G-OEM-400 B	G-OEM-400 DD	G-OEM-400 B DD	G-OEM-400 SS	G-OEM-400 B SS	G-OEM-400 DD SS	G-OEM-400 B DD SS							RECOMMENDED	ELIMINADO ELIMINATED	INTRODUCIDO INTRODUCED	NOTAS NOTES
26	12024252	TOBERA ACLARADO INOX.	SS RINSING NOZZLE	-	-	-	-	10	10	10	10										
26	12024077	TOBERA ACLARADO PLASTICO	PLASTIC RINSING NOZZLE	10	10	10	10	-	-	-	-										
27	12009912	JUNTA TOR. 5.28X8.84X1.78	O-RING 5,28x8,84x1,78	10	10	10	10	-	-	-	-										
28	12024006	ENGANCHE TOBERA ACLARADO	RINSE NOZZLE HOLDER	10	10	10	10	-	-	-	-										
	12182946	SET DISPENSADOR DETERGENTE LVS	GW DETERGENT DISPENSER SER	-	-	1	-	-	-	-	-										
29	12024531	PASAMUROS DETERGENTE	Detergent Feedthrough	-	-	1	1	1	1	1	1										
30	12140258	SOPORTE DOSIFICADOR	DISPENSER HOLDER	-	-	1	1	1	1	1	1										
31	12133011	DOSIFICADOR DE DETERGENTE	DETERGENT DISPENSER	-	-	1	1	1	1	1	1										
32	12024139	CONDUCTO ASPIRACION DET.	DETERGENT ASPIRATION PIPE	-	-	1	1	1	1	1	1										
33	12164632	PESO FILTRO	FILTER WEIGHT	-	-	1	1	1	1	1	1										
34	11000079	CONDUCTO DOSIF. TRANSP 6X4	DET. DISPENSER PIPE 6X4	-	-	1	1	1	1	1	1										



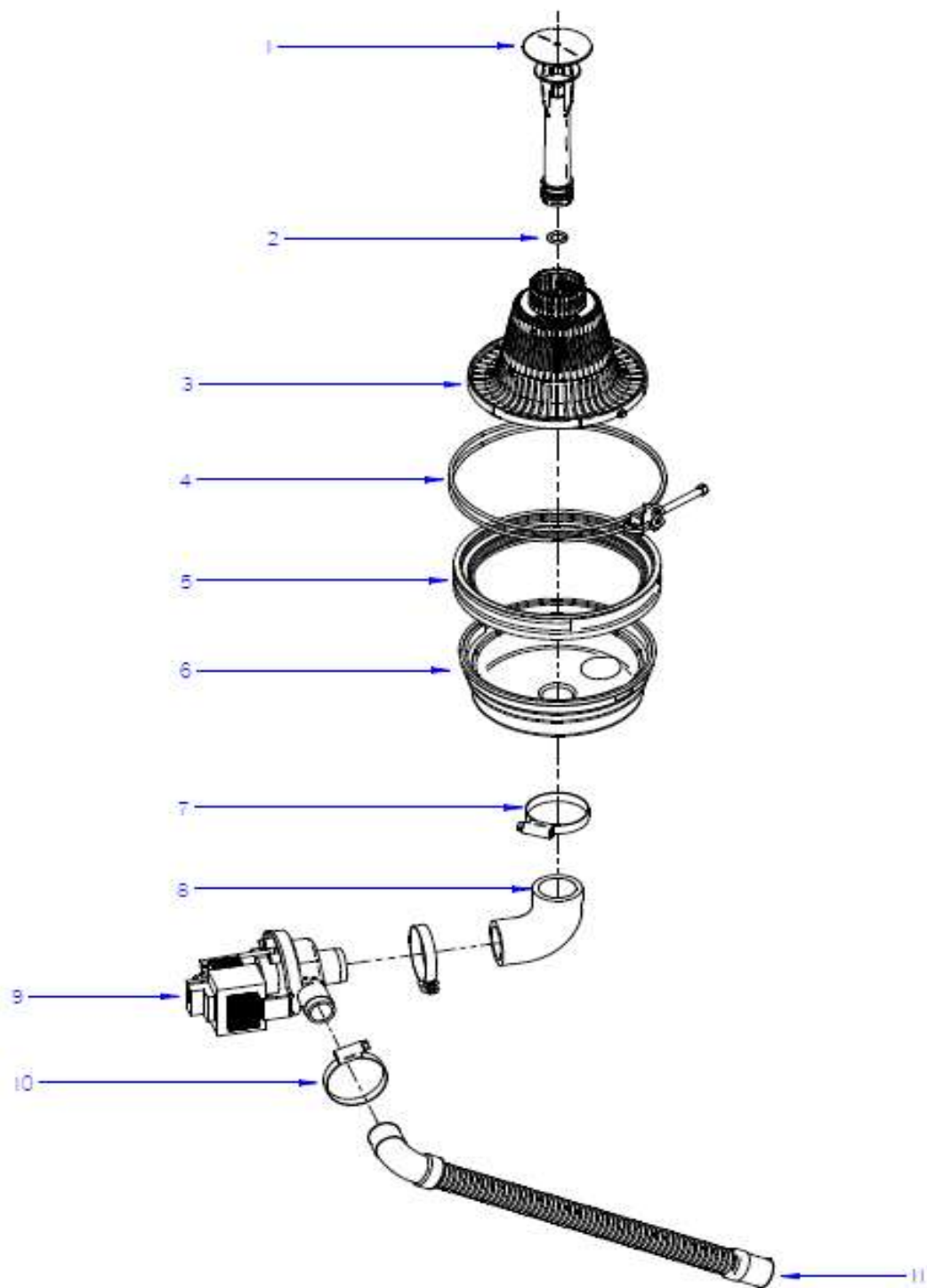
Drawing N.	Signature	Date	Devices:	GRAVITY DRAINAGE	Sheet	ONNERA POLAND
GW-03	Aitor U	02-2018		GLASSWASHERS GRAND-350 & 400	3	

ITEM	REFERENCIA REFERENCE	DENOMINACIÓN	DENOMINATION	G-OEM-350								RECOMMENDED	ELIMINADO ELIMINATED	INTRODUCIDO INTRODUCED	NOTAS NOTES	
				G-OEM-350 DD	G-OEM-350 UK	G-OEM-350 DD UK	G-OEM-350 SS	G-OEM-350 DD SS	G-OEM-350 SS UK	G-OEM-350 DD SS UK						
1	12092017	ALIVIADERO_LVS	DRAIN PLUG DW	1	1	1	1	1	1	1	1					
2	12010282	JUNTA TORIC 25.4X20.2X2.6	O-RING 25,4x20,2x2,6	1	1	1	1	1	1	1	1					
3	12092003	FILTRO CUBA LVS	DRAIN BOWL FILTER	1	1	1	1	1	1	1	1					
4	12025195	ABRAZADERA CUBETA COMPLETA	DRAIN BOWL CLAMP	1	1	1	1	1	1	1	1					
5	12024113	JUNTA CUBETA	DRAIN BOWL GASKET	1	1	1	1	1	1	1	1					
6	12023617	CUBETA	DRAIN BOWL	1	1	1	1	1	1	1	1					
7	12009972	ABRAZADERA ELAST.37.7-39.7	ROD CLAMP37,7-39,7 drain bowl	1	1	1	1	1	1	1	1					
8	12024114	MANGUERA DESAGÜE	DRAINING PIPE	1	1	1	1	1	1	1	1					

ZONA / ZONE	DESAGÜE POR GRAVEDAD / GRAVITY DRAINAGE
-------------	---

LAMINA / DRAWING	GW_003
------------------	--------

ITEM	REFERENCIA REFERENCE	DENOMINACIÓN	DENOMINATION	G-OEM-400 B	G-OEM-400 B DD	G-OEM-400 B UK	G-OEM-400 B DD UK	G-OEM-400 B SS	G-OEM-400 B DD SS	G-OEM-400 B SS UK	G-OEM-400 B DD SS UK					RECOMMENDED	ELIMINADO ELIMINATED	INTRODUCIDO INTRODUCED	NOTAS NOTES
1	12092017	ALIVIADERO_LVS	DRAIN PLUG DW	1	1	1	1	1	1	1	1								
2	12010282	JUNTA TORIC 25.4X20.2X2.6	O-RING 25,4x20,2x2,6	1	1	1	1	1	1	1	1								
3	12092003	FILTRO CUBA LVS	DRAIN BOWL FILTER	1	1	1	1	1	1	1	1								
4	12025195	ABRAZADERA CUBETA COMPLETA	DRAIN BOWL CLAMP	1	1	1	1	1	1	1	1								
5	12024113	JUNTA CUBETA	DRAIN BOWL GASKET	1	1	1	1	1	1	1	1								
6	12023617	CUBETA	DRAIN BOWL	1	1	1	1	1	1	1	1								
7	12009972	ABRAZADERA ELAST.37.7-39.7	ROD CLAMP37,7-39,7 drain bowl	1	1	1	1	1	1	1	1								
8	12024114	MANGUERA DESAGÜE	DRAINING PIPE	1	1	1	1	1	1	1	1								

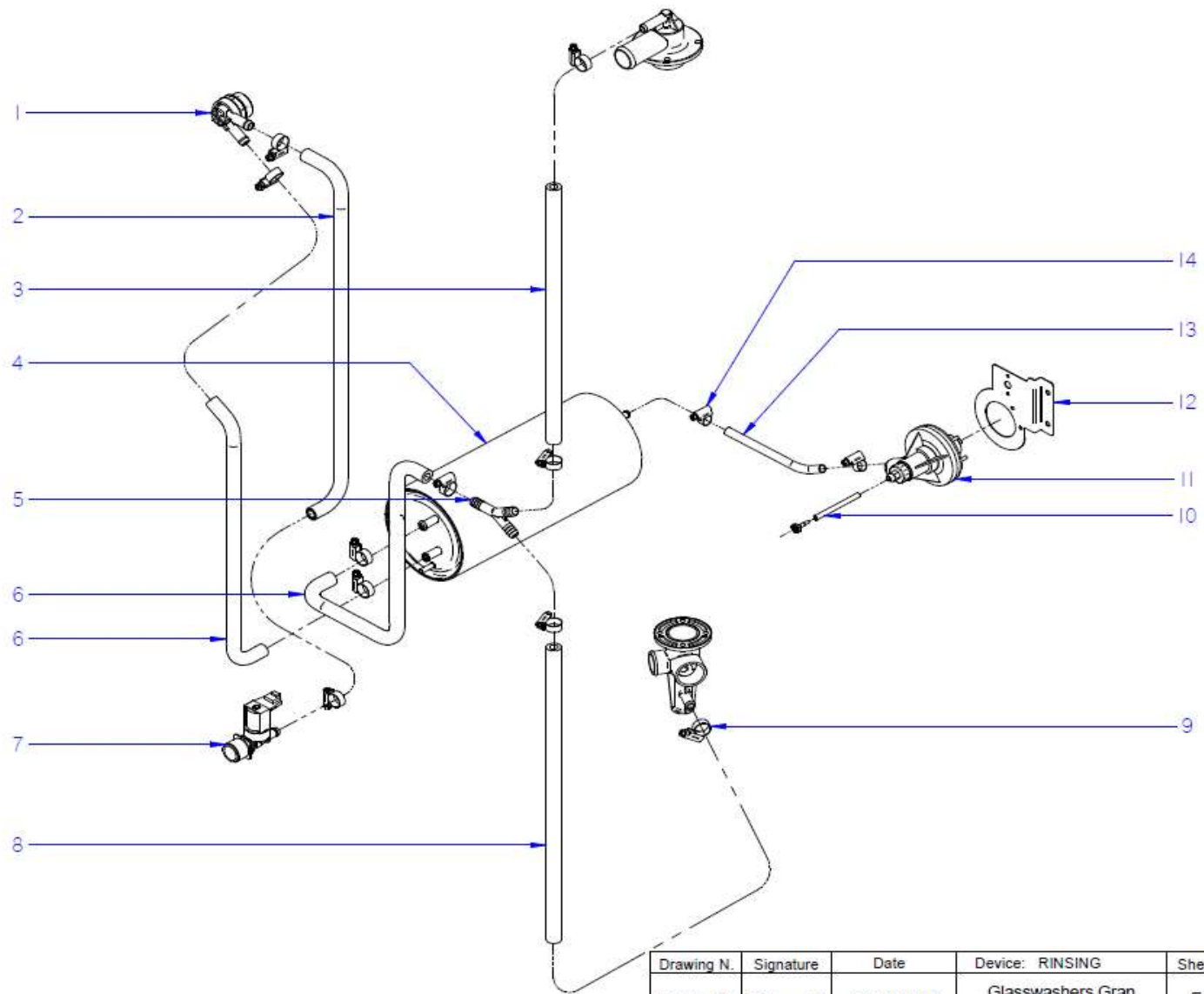


Drawing N.	Signature	Date	Device:	DRAINAGE BY PUMP	Layers / Sheet
GW-04	Aitor U	02-2018		GLASSWASHERS GRAND 350 & 400	4

ONNERA POLAND

ITEM	REFERENCIA REFERENCE	DENOMINACIÓN	DENOMINATION	G-OEM-350 B	G-OEM-350 B DD	G-OEM-350 B UK	G-OEM-350 B DD UK	G-OEM-350 B SS	G-OEM-350 B DD SS	G-OEM-350 B SS UK	G-OEM-350 B DD SS UK							RECOMMENDED	ELIMINADO ELIMINATED	INTRODUCIDO INTRODUCED	NOTAS NOTES	
1	12133299	ALIVIADERO_CAMPANA_ASBER	OVERFLOW CORK GE MOD. B	1	1	1	1	1	1	1	1											
2	12010282	JUNTA TORIC 25.4X20.2X2.6	O-RING 25,4x20,2x2,6	1	1	1	1	1	1	1	1											
3	12092003	FILTRO CUBA LVS	DRAIN BOWL FILTER	1	1	1	1	1	1	1	1											
4	12025195	ABRAZADERA CUBETA COMPLETA	DRAIN BOWL CLAMP	1	1	1	1	1	1	1	1											
5	12024113	JUNTA CUBETA	DRAIN BOWL GASKET	1	1	1	1	1	1	1	1											
6	12023617	CUBETA	DRAIN BOWL	1	1	1	1	1	1	1	1											
7	12009972	ABRAZADERA ELAST.37.7-39.7	ROD CLAMP37,7-39,7 drain bowl	1	1	1	1	1	1	1	1											
8	12094016	CONDUCTO ASPIRACION BOMBA	PUMP INLET PIPE	1	1	1	1	1	1	1	1											
9	12094265	BOMBA DESAGÜE	DRAINING PUMP	1	1	1	1	1	1	1	1							X				
10	12010023	ABRAZADERA 20-32	20-32 CLAMP	1	1	1	1	1	1	1	1											
11	12023666	MAGUERA DESAGÜE	DRAINING HOSE	1	1	1	1	1	1	1	1											

ITEM	REFERENCIA REFERENCE	DENOMINACIÓN	DENOMINATION	G-OEM-400 B	G-OEM-400 B DD	G-OEM-400 B UK	G-OEM-400 B DD UK	G-OEM-400 B SS	G-OEM-400 B DD SS	G-OEM-400 B SS UK	G-OEM-400 B DD SS UK								RECOMMENDED	ELIMINADO ELIMINATED	INTRODUCIDO INTRODUCED	NOTAS NOTES	
1	12133299	ALIVIADERO_CAMPANA_ASBER	OVERFLOW CORK GE MOD. B	1	1	1	1	1	1	1	1												
2	12010282	JUNTA TORIC 25.4X20.2X2.6	O-RING 25,4x20,2x2,6	1	1	1	1	1	1	1	1												
3	12092003	FILTRO CUBA LVS	DRAIN BOWL FILTER	1	1	1	1	1	1	1	1												
4	12025195	ABRAZADERA CUBETA COMPLETA	DRAIN BOWL CLAMP	1	1	1	1	1	1	1	1												
5	12024113	JUNTA CUBETA	DRAIN BOWL GASKET	1	1	1	1	1	1	1	1												
6	12023617	CUBETA	DRAIN BOWL	1	1	1	1	1	1	1	1												
7	12009972	ABRAZADERA ELAST.37.7-39.7	ROD CLAMP37,7-39,7 drain bowl	1	1	1	1	1	1	1	1												
8	12094016	CONDUCTO ASPIRACION BOMBA	PUMP INLET PIPE	1	1	1	1	1	1	1	1												
9	12094265	BOMBA DESAGÜE	DRAINING PUMP	1	1	1	1	1	1	1	1								X				
10	12010023	ABRAZADERA 20-32	20-32 CLAMP	1	1	1	1	1	1	1	1												
11	12023666	MAGUERA DESAGÜE	DRAINING HOSE	1	1	1	1	1	1	1	1												



Drawing N.	Signature	Date	Device: RINSING	Sheet	ONNERA POLAND
GW-05	Aitor U.	02/2018	Glasswashers Gran 350&400	5.	

ZONA / ZONE	PARTE FUNCIONAL ACLARADO / RINSE FUNCTIONAL PART
-------------	--

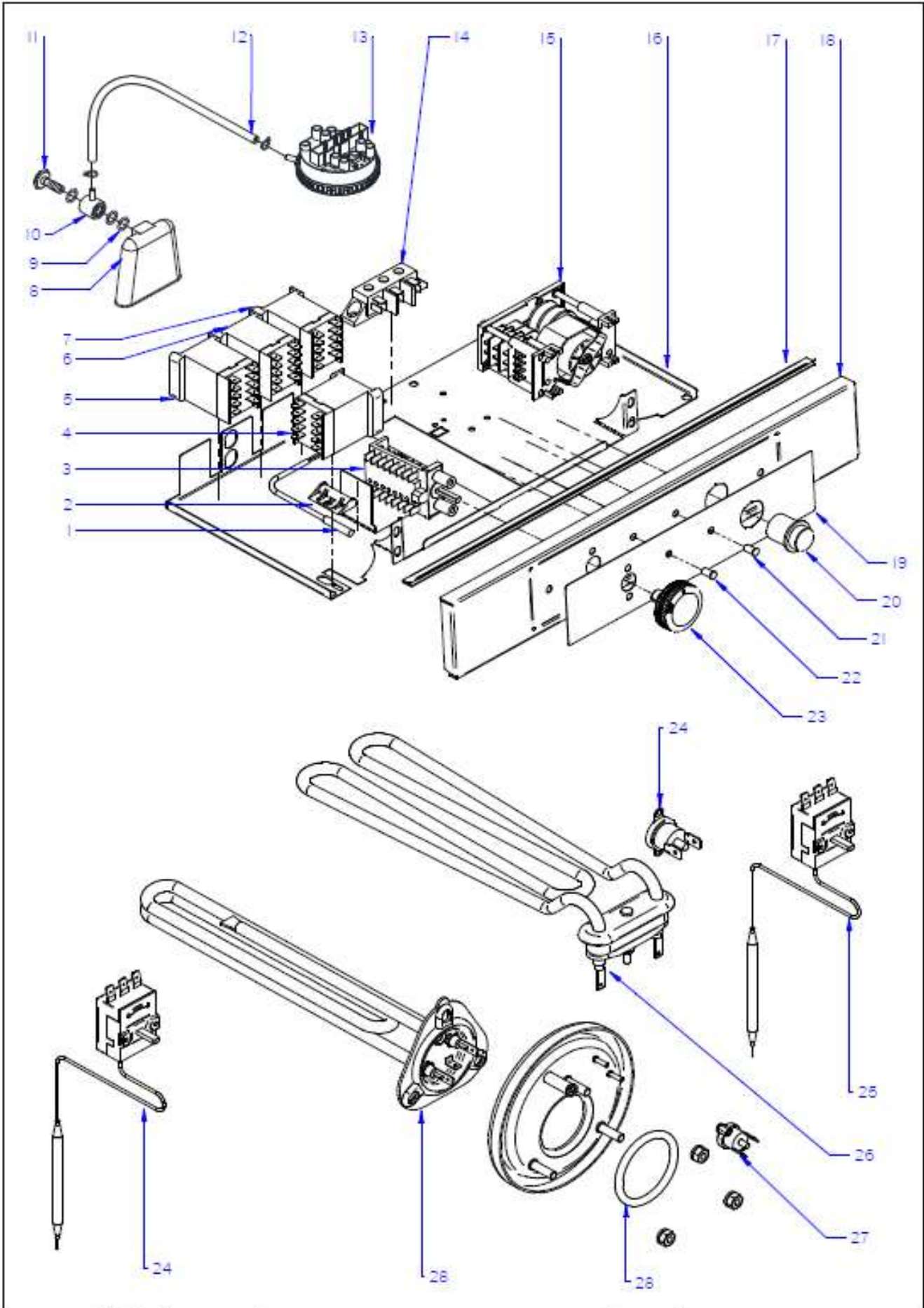
LÁMINA / DRAWING	GW_005
------------------	--------

ITEM	REFERENCIA REFERENCE	DENOMINACIÓN	DENOMINATION	G-OEM-350	G-OEM-350 B	G-OEM-350 DD	G-OEM-350 B DD	G-OEM-350 UK	G-OEM-350 B UK	G-OEM-350 DD UK	G-OEM-350 B DD UK						RECOMIENDEED	ELIMINADO ELIMINATED	INTRODUCIDO INTRODUCED	NOTAS NOTES	
1	12024568	VALVULA ANTIRRETORNO	NON-RETURN VALVE	1	1	1	1	1	1	1	1										
2	12093330	CONDUCTO EV-ANTIRRETORNO	EV - NON-RETURN VALVE HOSE	1	1	1	1	1	1	1	1										
3	12149964	CONDUCTO ACLARADO SUPERIOR	UPPER RINSE ARM HOSE	1	1	1	1	1	1	1	1										
4	12139525	CALDERIN LVS	GW BOILER	1	1	1	1	1	1	1	1										
5	12023511	RACORD Y	Y FITTING	1	1	1	1	1	1	1	1										
6	12093329	CONDUCTO CALDERIN RACORD	BOILER FITTING PIPE	2	2	2	2	2	2	2	2										
7	12025161	ELECTROVALVULA 1 VIA	1 WAY ELECTROVALVE	1	1	1	1	1	1	1	1										
8	12149967	CONDUCTO ACLARADO INFERIOR	LOWER RINSE ARM HOSE	1	1	1	1	1	1	1	1										
9	12010036	ABRAZADERA 12-20	12-20 CLAMP	10	10	10	10	10	10	10	10										
10	12024139	CONDUCTO ASPIRACION DET.	DETERGENT ASPIRATION PIPE	1	1	1	1	1	1	1	1										
11	12133010	DOSIFICADOR ABRILLANTADOR	RINSE AID DISPENSER	1	1	1	1	1	1	1	1										
12	12139530	SOPORTE DOSIFICADOR	DISPENSER HOLDER GW-350	1	1	1	1	1	1	1	1										
13	12149969	CONDUCTO DOSIFICAROD CALDERIN	DISPENSER-BOILER HOSE	1	1	1	1	1	1	1	1										
14	12010047	ABRAZADERA 8-14	8-14 CLAMP	2	2	2	2	2	2	2	2										

ZONA / ZONE	PARTE FUNCIONAL ACLARADO / RINSE FUNCTIONAL PART
-------------	--

LÁMINA / DRAWING	GW_005
------------------	--------

ITEM	REFERENCIA REFERENCE	DENOMINACIÓN	DENOMINATION	G-OEM-400	G-OEM-400 B	G-OEM-400 DD	G-OEM-400 B DD	G-OEM-400 UK	G-OEM-400 B UK	G-OEM-400 DD UK	G-OEM-400 B DD UK						RECOMMENDED	ELIMINADO ELIMINATED	INTRODUCIDO INTRODUCED	NOTAS NOTES	
1	12024568	VALVULA ANTIRRETORNO	NON-RETURN VALVE	1	1	1	1	1	1	1	1										
2	12093403	CONDUCTO EV-ANTIRRETORNO	EV - NON-RETURN VALVE HOSE	2	2	2	2	2	2	2	2										
3	12149966	CONDUCTO ACLARADO SUPERIOR	UPPER RINSE ARM HOSE	1	1	1	1	1	1	1	1										
4	12139525	CALDERIN LVS	GW BOILER	1	1	1	1	1	1	1	1										
5	12024192	RACORD EN CRUZ	CROSS FITTING	1	1	1	1	1	1	1	1										
6	12093402	CONDUCTO CALDERIN RACORD	BOILER FITTING PIPE	2	2	2	2	2	2	2	2										
7	12023794	ELECTROVALVULA DOBLE	2 WAY ELECTROVALVE	1	1	1	1	1	1	1	1										
8	12149968	CONDUCTO ACLARADO INFERIOR	LOWER RINSE ARM HOSE	1	1	1	1	1	1	1	1										
9	12010036	ABRAZADERA 12-20	12-20 CLAMP	12	12	12	12	12	12	12	12										
10	12024139	CONDUCTO ASPIRACION DET.	DETERGENT ASPIRATION PIPE	1	1	1	1	1	1	1	1										
11	12133010	DOSIFICADOR ABRILLANTADOR	RINSE AID DISPENSER	1	1	1	1	1	1	1	1										
12	12139530	SOPORTE DOSIFICADOR	DISPENSER HOLDER GW-350	1	1	1	1	1	1	1	1										
13	12149969	CONDUCTO DOSIFICAROD CALDERIN	DISPENSER-BOILER HOSE	1	1	1	1	1	1	1	1										
14	12010047	ABRAZADERA 8-14	8-14 CLAMP	2	2	2	2	2	2	2	2										



N planu / Drawing N.	Firma / Signature	Fecha / Date	Apelido / Appliance	ARMAZON / FRAMÉ	Lamina / Sheet	ONNERA POLAND
GW_007	Filip.S	02/2018		GW EASY	1	

ZONA / ZONE	PARTE FUNCIONAL ELECTRICA/ ELECTRIC FUNCTIONAL PART
-------------	---

LÁMINA / DRAWING	GW_007
------------------	--------

ITEM	REFERENCIA REFERENCE	DENOMINACIÓN	DENOMINATION	G-OEM-350	G-OEM-350 B	G-OEM-350 DD	G-OEM-350 B DD	G-OEM-350 UK	G-OEM-350 B UK	G-OEM-350 DD UK	G-OEM-350 B DD UK						RECOMMENDED	ELIMINADO ELIMINATED	INTRODUCIDO INTRODUCED	NOTAS NOTES	
1	12024477	INTERRUPTOR MAGNETICO	MAGNETIC SWITCH	1	1	1	1	1	1	1	1										
2	12024066	AMARRE INTERRUP. MAGNETICO	MAGNETIC SWITCH FASTENER	1	1	1	1	1	1	1	1										
3	12024445	CONMUTADOR DE FUNCIONES	FUNCTIONS SWITCH	1	1	1	1	1	1	1	1										
S/Nº	12024067	CASQUILLO	BUSHING	2	2	2	2	2	2	2	2										
4	12023706	RELE 230V. 16A 50-60 HZ	RELAY 230V. 16A 50-60 HZ	1	1	1	1	1	1	1	1										
5	12023706	RELE 230V. 16A 50-60 HZ	RELAY 230V. 16A 50-60 HZ	2	2	2	2	2	2	2	2										
6	12024011	CONTACTOR 230 V. 50-60 HZ 16A	CONTACTOR 230 V 50-60HZ 16A	1	1	1	1	1	1	1	1										
7	12024011	CONTACTOR 230 V. 50-60 HZ 16A	CONTACTOR 230 V 50-60HZ 16A	1	1	1	1	1	1	1	1										
8	12024350	CAMARA PRESOSTATO	PRESSURE SWITCH	1	1	1	1	1	1	1	1										
9	12009873	JUNTA TORICA 16.01X10.77X2.62	O-RING 16.01X10.77X2.62	2	2	2	2	2	2	2	2										
10	12024157	EMPALME PRESOSTATO	PRESSURE SWITCH CONNEX	1	1	1	1	1	1	1	1						X				
11	12024222	TORNILLO PRESOSTATO	PRESSURE SWITCH BOLT	1	1	1	1	1	1	1	1						X				
12	12149970	CONDUCTO PRESOSTATO	PRESOSTAT HOSE	1	1	1	1	1	1	1	1						X				
S/Nº	12023707	BRIDA ELASTICA TUBO	ELASTIC PIPE FLANGE	2	2	2	2	2	2	2	2						X				
13	12023802	PRESOSTATO SIMPLE 2-4 bar	2-4 bar SIMPLE PRESOSTAT	1	1	1	1	1	1	1	1						X				
14	12024382	REGLETA AUXILIAR 3 CONEXIONES	3 WAY ELECTRIC CONNECTOR	1	1	1	1	1	1	1	1										
15	12024873	PROGRAMADOR CICLO 50Hz	CYCLE PROGRAMMER 50Hz	1	1	1	1	1	1	1	1						X				
15	12024871	PROGRAMADOR CICLO 60Hz	CYCLE PROGRAMMER 60 Hz	1	1	1	1	1	1	1	1						X				
16	12170236	BASE COMPONENTES ELÉCTRICOS	ELECTRIC COMPONENT BASE	1	1	1	1	1	1	1	1										
17	12169876	BURLETE SELLADO TAPA 350	UC-350 LID SEALING PROFILE	1	1	1	1	1	1	1	1										
18	*	PANEL DE CONTROL	CONTROL PANEL	1	1	1	1	1	1	1	1										Check Optionals
19	*	EMBELLECEDOR G-OEM 350	G-OEM-350 STICKER	1	1	1	1	1	1	1	1										Check Optionals
20	12169232	PULSADOR ARRANQUE PROGRAM.	PROGRAM START BUTTON	1	1	1	1	1	1	1	1						X				
21	12169231	PILOTO LED VERDE	GREEN LED LIGHT	1	1	1	1	1	1	1	1						X				
22	12169230	PILOTO LED AZUL	BLUE LED LIGHT	1	1	1	1	1	1	1	1						X				
23	12168175	BOTON DE MANDO G-OEM 500	G-OEM-500 CONTROL KNOB	1	-	1	-	1	-	1	-										
23	12170488	BOTON DE MANDO G-OEM-500 B	G-OEM-500 B KNOB	-	1	-	1	-	1	-	1										
S/Nº	12024516	BURLETE MANDO	SWITCH JOINT	1	1	1	1	1	1	1	1										
25	12134992	TERMOSTATO 27-85°C	THERMOSTAT 27-85°C	2	2	2	2	2	2	2	2						X				
26	12096597	TERMOSTATO LIMITADOR CUBA	TANK SECURITY THERMOSTAT	1	1	1	1	1	1	1	1						X				

ITEM	REFERENCIA REFERENCE	DENOMINACIÓN	DENOMINATION	G-OEM-350	G-OEM-350 B	G-OEM-350 DD	G-OEM-350 B DD	G-OEM-350 UK	G-OEM-350 B UK	G-OEM-350 DD UK	G-OEM-350 B DD UK	RECOMMENDED	ELIMINADO ELIMINATED	INTRODUCIDO INTRODUCED	NOTAS NOTES
26	12090524	RESISTENCIA CUBA 2 kW	TANK HEATER 2 kW	1	1	1	1	1	1	1	1	X			
27	12090518	TERMOSTATO LIMITADOR CALDERIN	BOILER SECURITY THERMOSTAT	1	1	1	1	1	1	1	1				
28	12102062	JUNTA TORICA 62,87x73,53x5,33	O-ring 62,87x73,53x5,33	1	1	1	1	1	1	1	1	X			
29	12093151	RESISTENCIA CALDERIN 2.4 Kw	BOILER HEATER 2.4 kW	1	1	1	1	1	1	1	1				

ZONA / ZONE	PARTE FUNCIONAL ELECTRICA/ ELECTRIC FUNCTIONAL PART
-------------	---

LÁMINA / DRAWING	GW_007
------------------	--------

ITEM	REFERENCIA REFERENCE	DENOMINACIÓN	DENOMINATION	G-OEM-400	G-OEM-400 B	G-OEM-400 DD	G-OEM-400 B DD	G-OEM-400 UK	G-OEM-400 B UK	G-OEM-400 DD UK	G-OEM-400 B DD UK						RECOMMENDED	ELIMINADO ELIMINATED	INTRODUCIDO INTRODUCED	NOTAS NOTES
1	12024477	INTERRUPTOR MAGNETICO	MAGNETIC SWITCH	1	1	1	1	1	1	1	1									
2	12024066	AMARRE INTERRUP. MAGNETICO	MAGNETIC SWITCH FASTENER	1	1	1	1	1	1	1	1									
3	12024445	CONMUTADOR DE FUNCIONES	FUNCTIONS SWITCH	1	1	1	1	1	1	1	1									
S/Nº	12024067	CASQUILLO	BUSHING	2	2	2	2	2	2	2	2									
4	12023706	RELE 230V. 16A 50-60 HZ	RELAY 230V. 16A 50-60 HZ	1	1	1	1	1	1	1	1									
5	12023706	RELE 230V. 16A 50-60 HZ	RELAY 230V. 16A 50-60 HZ	2	2	2	2	2	2	2	2									
6	12024011	CONTACTOR 230 V. 50-60 HZ 16A	CONTACTOR 230 V 50-60HZ 16A	1	1	1	1	1	1	1	1									
7	12024011	CONTACTOR 230 V. 50-60 HZ 16A	CONTACTOR 230 V 50-60HZ 16A	1	1	1	1	1	1	1	1									
8	12024350	CAMARA PRESOSTATO	PRESSURE SWITCH	1	1	1	1	1	1	1	1									
9	12009873	JUNTA TORICA 16.01X10.77X2.62	O-RING 16.01X10.77X2.62	2	2	2	2	2	2	2	2									
10	12024157	EMPALME PRESOSTATO	PRESSURE SWITCH CONNEX	1	1	1	1	1	1	1	1						X			
11	12024222	TORNILLO PRESOSTATO	PRESSURE SWITCH BOLT	1	1	1	1	1	1	1	1						X			
12	12149970	CONDUCTO PRESOSTATO	PRESOSTAT HOSE	1	1	1	1	1	1	1	1						X			
S/Nº	12023707	BRIDA ELASTICA TUBO	ELASTIC PIPE FLANGE	2	2	2	2	2	2	2	2						X			
13	12023802	PRESOSTATO SIMPLE 2-4 bar	2-4 bar SIMPLE PRESOSTAT	1	1	1	1	1	1	1	1						X			
14	12024382	REGLETA AUXILIAR 3 CONEXIONES	3 WAY ELECTRIC CONNECTOR	1	1	1	1	1	1	1	1									
15	12024873	PROGRAMADOR CICLO 50Hz	CYCLE PROGRAMMER 50Hz	1	1	1	1	1	1	1	1						X			
15	12024871	PROGRAMADOR CICLO 60Hz	CYCLE PROGRAMMER 60 Hz	1	1	1	1	1	1	1	1						X			
16	12170237	BASE COMPONENTES ELÉCTRICOS	ELECTRIC COMPONENT BASE	1	1	1	1	1	1	1	1									
17	12169876	BURLETE SELLADO TAPA 400	GW-400 LID SEALING PROFILE	1	1	1	1	1	1	1	1									
18	*	PANEL DE CONTROL	CONTROL PANEL	1	1	1	1	1	1	1	1									
19	*	EMBELLECEDOR G-OEM 400	G-OEM-400 STICKER	1	1	1	1	1	1	1	1									
20	12169232	PULSADOR ARRANQUE PROGRAM.	PROGRAM START BUTTON	1	1	1	1	1	1	1	1						X			
21	12169231	PILOTO LED VERDE	GREEN LED LIGHT	1	1	1	1	1	1	1	1						X			
22	12169230	PILOTO LED AZUL	BLUE LED LIGHT	1	1	1	1	1	1	1	1						X			
23	12170486	BOTON DE MANDO G-OEM 400	G-OEM-400 CONTROL KNOB	1	-	1	-	1	-	1	-									
23	12170487	BOTON DE MANDO G-OEM-400 B	G-OEM-400 B KNOB	-	1	-	1	-	1	-	1									
S/Nº	12024516	BURLETE MANDO	SWITCH JOINT	1	1	1	1	1	1	1	1									
24	12134992	TERMOSTATO 27-85°C	THERMOSTAT 27-85°C	2	2	2	2	2	2	2	2						X			
27	12096597	TERMOSTATO LIMITADOR CUBA	TANK SECURITY THERMOSTAT	2	2	2	2	2	2	2	2						X			

ZONA / ZONE	PARTE FUNCIONAL ELECTRICA/ ELECTRIC FUNCTIONAL PART
-------------	---

LÁMINA / DRAWING	GW_007
------------------	--------

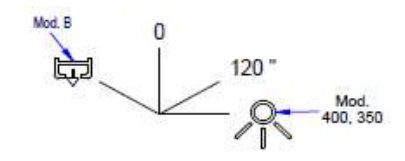
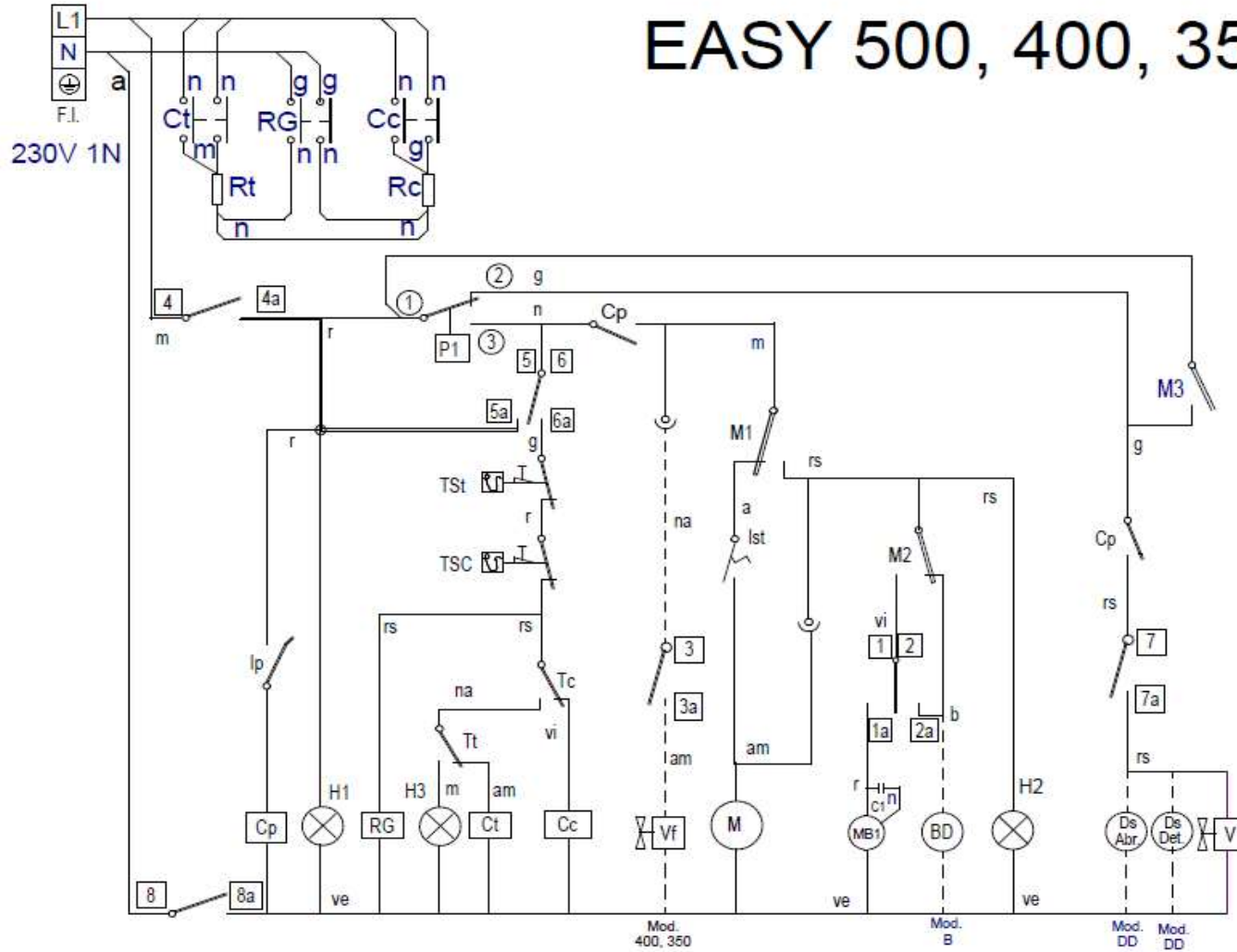
ITEM	REFERENCIA REFERENCE	DENOMINACIÓN	DENOMINATION	G-OEM-400	G-OEM-400 B	G-OEM-400 DD	G-OEM-400 B DD	G-OEM-400 UK	G-OEM-400 B UK	G-OEM-400 DD UK	G-OEM-400 B DD UK						RECOMMENDEED	ELIMINADO ELIMINATED	INTRODUCIDO INTRODUCED	NOTAS NOTES		
26	12090524	RESISTENCIA CUBA 2 kW	TANK HEATER 2 kW	1	1	1	1	1	1	1	1						X					
27	12096597	TERMOSTATO LIMITADOR CALDERIN	BOILER SECURITY THERMOSTAT	2	2	2	2	2	2	2	2											
28	12102062	JUNTA TORICA 62,87x73,53x5,33	O-ring 62,87x73,53x5,33	1	1	1	1	1	1	1	1						X					
29	12093151	RESISTENCIA CALDERIN 2.4 Kw	BOILER HEATER 2.4 kW	1	1	1	1	1	1	1	1											

ZONA / ZONE	VARIOS / MISCELLANEOUS
-------------	------------------------

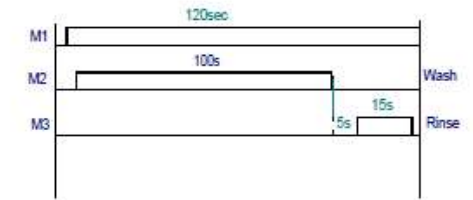
LÁMINA / DRAWING

ITEM	REFERENCIA REFERENCE	DENOMINACIÓN	DENOMINATION	G-OEM-350 (B DD SS)		G-OEM-400 (B DD SS)		G-OEM-350 (B DD SS) UK	G-OEM-400 (B DD SS) UK									RECOMMENDED	ELIMINADO ELIMINATED	INTRODUCIDO INTRODUCED	NOTAS NOTES	
		FOLLETO INSTRUCCIÓN G-OEM	MANUAL INSTRUCTION G-OEM	1	1	1	1															
	12130648	ESQUEMA TEÓRICO LVS EASY	EASY GW THEORETICAL DIAGRAM	1	1	1	1															
	12136918	LVS ESQUEMA MONTAJE	GW ASSEMBLY DIAGRAM	1	1	1	1															
	12024183	CABLEADO TIERRA BOMBA LAVADO	PUMP EARTH WIRING	1	1	1	1															
	12134328	INSTALACION ELECTRICA LVS EASY	EASY GW WIRING SYSTEM	1	1	1	1															
	12023746	CABLE DE ALIMENTACION EU	EU POWER CORD	1	1	1	1															
	12025112	CABLE DE ALIMENTACION UK	UK POWER CORD	-	-	1	1															
	12136692	CONDENSADOR 33 µF	33 µF CONDENSADER	2	2	2	2															
	12160496	CABLE ADAPTADOR LEDS	LED ADAPTER WIRE	2	2	2	2															

EASY 500, 400, 350, B, DD



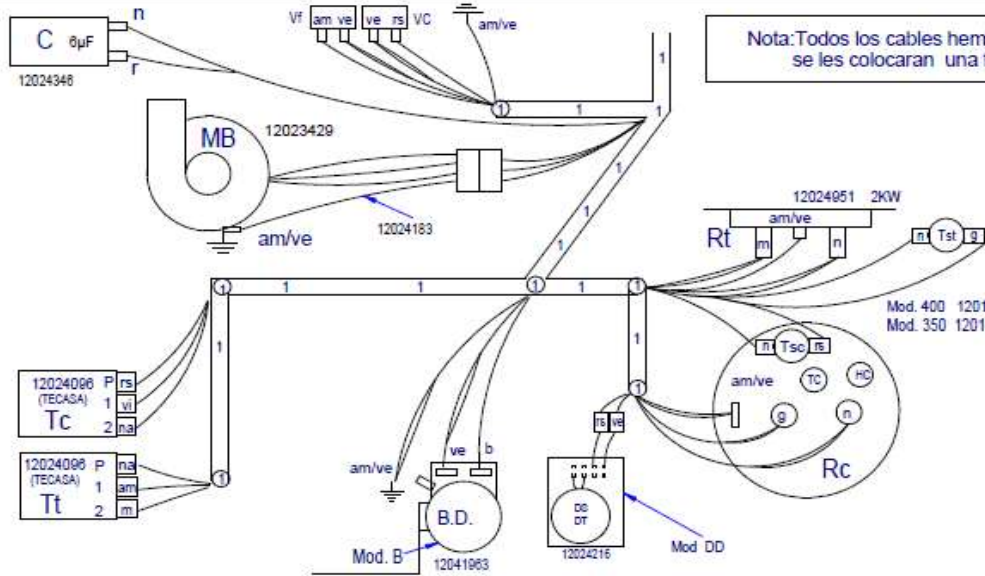
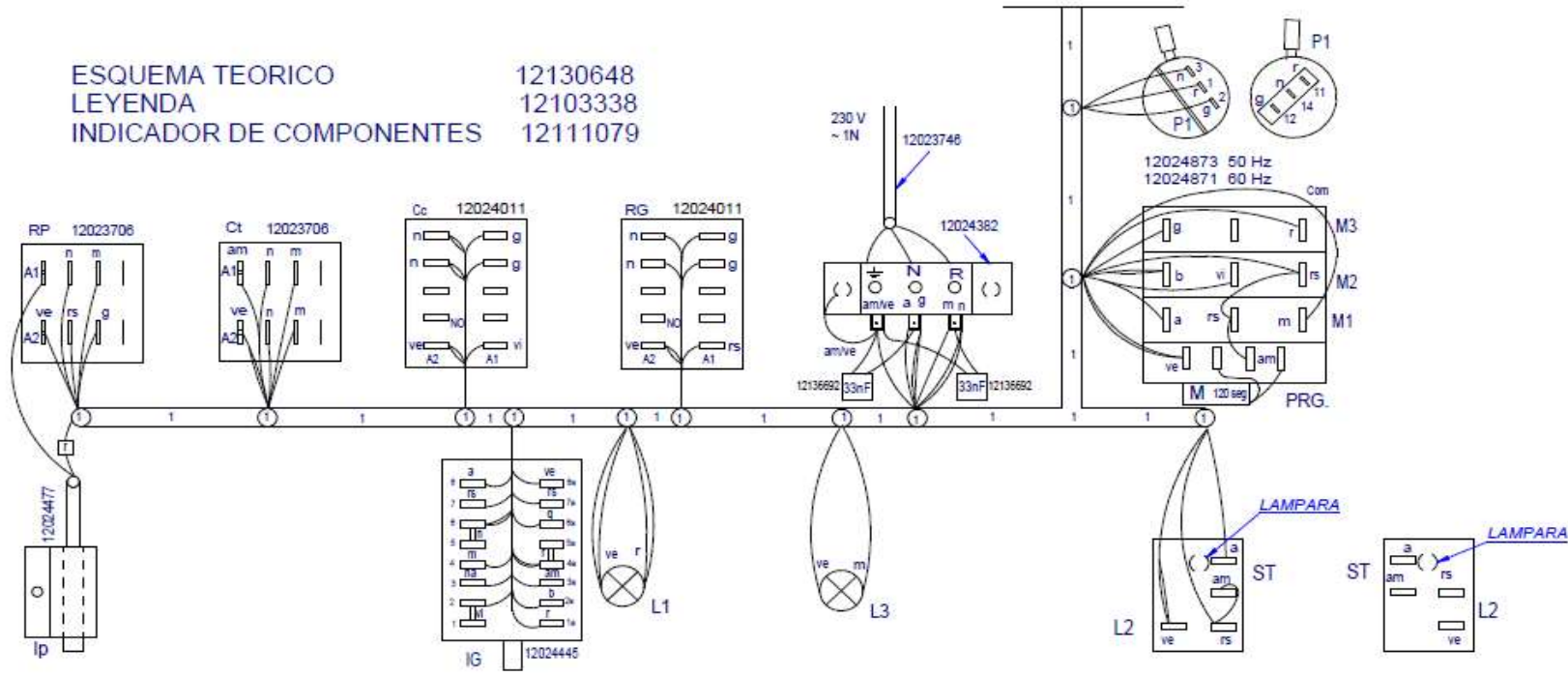
I	G	1	2	3	4	5	6	7	8
		1a	2a	3a	4a	5a	6a	7a	8a
L1			X		X	X			X
0									
120	X				X		X	X	X
⌑	X		X	X			X	X	X



12130648

- Esquema Teorico EASY 500				- 12130648					
Nº	TITLE					QTY	CODE	MATERIAL	TREATMENT
GENERAL TOLERANCES				ISO 2768-1				Very Coarse	
								ONNERA GROUP	
				LAVAVAJILLAS				DESIGNED BY:	DATE
								VALIDATED BY:	SCALE
								M.MAILLO	A.G.
								09.11.2015	
12130648				REVISION					
PROPOSED BY:				M.MAILLO		ISSUE DATE:			

ESQUEMA TEORICO 12130648
 LEYENDA 12103338
 INDICADOR DE COMPONENTES 12111079



Nota: Todos los cables hembra que queden sin conectar se les colocaran una funda macho Q-578006

Montaje Easy 400

Nº		Montaje lavavasos Easy 400		12136918		MATERIAL		TREATMENT	
TITLE		QTY		CODE		MATERIAL		TREATMENT	
GENERAL TOLERANCES:									
ISO 2765-1					Very Coarse				
mm	mm	mm	mm	mm	mm	mm	mm	mm	mm
0-10	10-20	20-30	30-40	40-50	50-60	60-70	70-80	80-90	90-100
±0.10	±0.15	±0.20	±0.25	±0.30	±0.35	±0.40	±0.45	±0.50	±0.60
LAVAVAJILLAS									
DESIGNED BY		VALIDATED BY		DATE		SHEET		1 / 1	
M. MAILLO		A. G.		02.05.2018		SCALE			
12136918		REVISION		PROPOSED BY:		M. MAILLO		ISSUE DATE:	

	ESPAÑOL	ENGLISH	FRANÇAIS	DUTSCH	ITALIANO	PORTUGUES
	Tierra de protección	Grounding	Mise à terre	toma de tierra? Erdung	Messa a terra	
P	Puente de Conexión	Terminal block bridge	Pontage pour bloc de jonction	Verbindungsblockanschluss	Ponte di connessione	
BA	Bomba Aclarado	Rinse pump	Pompe de rinçage	Spülmittel dosierpumpe	Pompa di risciacquo	
BD	Bomba desagüe	Drain pump	Pompe de vidange	Abflüßpumpe	Pompa scarico	
C, C1, C2	Condensador	Capacitor	Condensateur	kondensator	Condensatore	
CMB	Contactora bomba lavado	Wash pump contactor	Contacteur pompe de lavage	Türrelais	Contactore pompa lavaggio	
Cc	Contactora calentamiento calderín	Boiler heating contactor	Contacteur chauffage surchauffeur	Kontaktschutz Waschpumpe	Contactore riscaldamento boiler	
Ct	Contactora calentamiento tanque	Tank heating contactor	Contacteur chauffage cuve	Kontaktschutz Boilerheizung	Contactore riscaldamento serbatoio	
CP	Relé puerta	Door relay	Relais de porte	Kontaktschutz Heizung tank	Relè porta	
Da, Abr	Dosificador Abridantador	Dispenser	Distributeur	Kierspülmittel dosierpumpe	Dosatore brillantante	
Da, Det.	Dosificador Detergente	Detergent dispenser	Distributeur de détergent	Dosierer Spülmittel	Dosatore detergente	
F	Fusible	Fuse	Fusible	Fuse	Fusibile	
H1	Lampara encendido	Operation light	Voyant fonctionnement	Betriebsanzeigelampe	Spia accensione	
H2, H5	Lampara de marcha	Start light	Voyant démarrage	Startanzeigelampe	Spia avvio	
H3	Lampara maquina preparada	Light machine ready	Voyant machine prêt	Betriebsbereitschaftsanzeigelampe	Pilota macchina preparata	
H4	Lampara falta Sal	Lamp salt missing	Lampe absence sel	Lampe Mangel Salz	Spia sale mancante	
HRS	Sistema recuperador energia	Heat Recovery System	Système de récupération de chaleur	System für Hitze-Rückgewinnung	Sistema con recupero di calore	
IG	Interruptor general	Main switch	Interrupteur général	Hauptschalter	Interruttore generale	
IP	Micro puerta	Door microswitch	Micro porte	Mikroschalter Tür	Micro porta	
ist	Pulsador marcha	push button start	bouton de démarrage	Schalter (Ein)	Pulsante inizio	
L1 L2 L3	Fases Conexión Eléctrica	Power Supply Phases	Phases de alimentation	Stromanschlusfase	Fasi di alimentazione	
MB1, MB2	Bomba lavado	Wash Pump	Pompe de lavage	Waschpumpe	Pompa lavaggio	
M	Motor Programador lavado	Wash timer Motor	Programmeur Moteur lavage	Motor Programmiervorrichtung	Motore programmatore	
Mav.R	Motor Avance rapido Prg. Lav	Fast Forward Motor Prg. Wash	Moteur Avance rapide Prg. Lav	Motor Programmiervorrich. Betrieb	Motore programmatore avanzamento rapido	
M1, 2, 3, 4, 5	Micro Programador Lavado	Wash Programmer switch	laver micro-programmeur	Motor Programmiervorrich. Spülen	Micro programmatore di lavaggio	
M20, 21, 22, 23	Programador Regeneracion	Regeneration Timer	Programmeur régénération	Regenerierungsprogramm	Timer di regenerazione	
P	Puentes	Electric bridge	Pont électrique	Elektrischesetag	Ponte elettrico	
P1	Presostato Tanque	Tank Pressure switch	Pressostat de cuve	Tank Druckwächter	Pressostato serbatoio	
P2	Presostato Bomba desagüe	Drain pump Pressure switch	Pressostat de Pompe de vidange	Abflüßpumpe Druckwächter	Pressostato pompa scarico	
P3	Presostato calderín	Boiler Pressure switch	Pressostat de surchauffeur	Boiler Druckwächter	Pressostato boiler	
PRG	Programador Electronico	Electric programmer	Programmeur électronique	Elektronischer Programmierer	Programmatore elettronico	
PRG P2	Puente Soft Start	Soft Start Jumper	Soft Start Cavalier	Soft Start Brücke	Ponte Soft Start	
Rc	Resistencia calderín	Boiler heating element	Resistance surchauffeur	Heizwiderstand Boiler	Resistenza boiler	
RG	Relé General	Main Relay	Relais principal	Stromversorgungsanschluß Gener.	Relè generale	
RST	Relé Marcha	Start up relay	Start up relay	Relais	Relè inizio	
Rt	Resistencia tanque	Tank heating element	Resistance cuve	Heizwiderstand tank	Resistenza serbatoio	
SC	Sonda Temperatura Calderín	Boiler temperature sensor	Surchauffeur capteur de température	Temperatursensor Boiler	Boiler sonda temperatura	
ST	Sonda Temperatura tanque	Tank temperature sensor	Cuve capteur de température	Temperatursensor Tank	Serbatoio sonda temperatura	
TC	Termostato calderín	Boiler thermostat	Thermostat surchauffeur	Thermostat kessel	Termostato boiler	
Tmp	Temporizador	Timer	Minuteur	Timer	Timer	
TRF	Transformador	Transformer	Transformateur	Transformator	Transformatore	
TSC	Termostato Limitador calderín	Boiler Hi-limit thermostat	Thermostat Limiteur surchauffeur	Begrenzer Boiler	Limitatore boiler	
TST	Termostato Limitador tanque	Tank Hi-limit thermostat	Thermostat Limiteur de cuve	Begrenzer tank	Limitatore serbatoio	
TT	Termostato tanque	Tank thermostat	Thermostat de cuve	Thermostat tank	Termostato serbatoio	
V	Electroválvula llenado	Water solenoid valve	Electrovanne d'eau	Elektroventil Füllen und Spülen	Elettroval riempimento e risciacquo	
VF	Electroválvula agua Fra	Water solenoid valve	Electrovanne d'eau	Elektroventil Füllen und Spülen	Elettroval riempimento e risciacquo	
VR1, VR2,VR3,BR	Electroválvulas Regeneracion	Regeneration solenoid valve	vanne de régénération	Regenerierventil	Valvola di rigenerazione	
	COLOR	COLOUR	COULEURS	FARBEN	COLORE	
a = BLU	Azul	Blue	Bleu	Blau	Blu	
am = YEL	Amarillo	Yellow	Jaune	Gelb	Giallo	
am/ve = YEL/GRN	Amarillo/Verde	Yellow / green	Jaune / vert	Gelb/ grün	Giallo/ verde	
b = WHT	Bianco	White	Blanc	Weiß	Bianco	
g = GRY	Gris	Grey	Gris	Grau	Grigio	
m = BRN	Marrón	Brown	Marron	Braun	Marrone	
n = BLK	Negro	Black	Noir	Schwarz	Nero	
na = ORG	Naranja	Orange	Orange	Orange	Arancio	
r = RED	Rojo	Red	Rouge	Rot	Rosso	
rs = PNK	Rosa	Pink	Rose	Rosa	Rosa	
ve = GRN	Verde	Green	Vert	Grün	Verde	
vi = PRP	Violeta	Purple	Pourpre	Violett	Viola	
			12103338			12103338