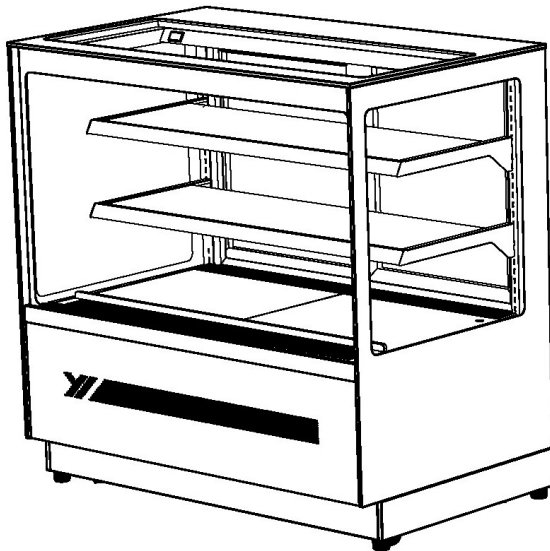


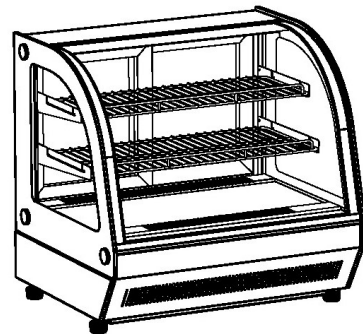
Warm Tips:

Please read the manual carefully before using the product.

Operation Instruction for Display Cabinet



WDF series



WT series

Contents

Precaution.....	1
Transportation and handling.....	2
Installation and operation.....	2
Maintenance.....	3
Troubleshooting.....	4
Structure diagram.....	5
Circuit diagram.....	6
Setting of the digital controller.....	7
Major technical parameters.....	8
Disposal of the product.....	12
Warranty Information.....	13

Precaution

- 1 Please read the manual carefully before using the cabinet. For any doubt, please contact our company.
- 2 This series of products are mainly applicable to refrigeration and display cakes and relevant food. During normal operation, the temperature inside the cabinet is 0~8°C (for WDFseries) or 2~8°C (for LK series). Do not use this equipment for other purposes in case of serious accidents.
- 3 The equipment is suitable to be placed in supermarket, cake store and hotels.
- 4 The equipment shall be put at dry place with good ventilation. Don't put it near any heat source or dust. Don't place it directly under the sunshine.
- 5 Put the equipment on a flat and solid place. The distance from the wall or other objects shall not be less than 20cm.
- 6 It is a kind of electrical equipment. Please pay attention to the safety.
 - Independently single-phase three-pole socket shall be used. The earth wire port (E) of the socket shall be reliably grounded.
 - The power supply shall be 220 ~ 240V/50Hz. Otherwise, power supply stabilizer with capacity matching with the equipment power shall be installed to ensure smooth operation of the equipment.
 - The power cord of the equipment shall not be directly placed in the aisle. Avoid heavy weight and sharp objects.
 - Do not operate the equipment with wet or naked hand or foot.
 - Please cut off the power supply if the equipment is not to be used for long time.
 - Please cut off the power supply before installation or dismantling the parts.
 - Never flush the equipment directly with water; otherwise the parts will get wet and current leakage might be resulted.
 - In case of electrical or refrigeration failure, service agent authorized by the manufacturer or professional maintenance staff shall be responsible for the maintenance work in case of danger or expanded failure.
- 7 Do not store explosive substances such as aerosol cans with a flammable propellant inside the appliance.
- 8 **WARNING** – Keep clear of obstruction all ventilation openings in the appliance enclosure or in the structure for building-in.
- 9 **WARNING** – Do not use mechanical devices or other means to accelerate the defrosting process, other than those recommended by the manufacturer.
- 10 **WARNING** – Do not damage the refrigerant circuit.

- 11 **WARNING** – Do not use electrical appliances inside the food storage compartments of the appliance, unless they are of the type recommended by the manufacturer.
- 12 Please according to local regulations regarding disposal of the appliance for its flammable blowing gas. Before you scrap the appliance, please take off the doors to prevent children trapped.
- 13 If the supply cord is damaged, it must be replaced by the manufacturer or its service agent or a similarly qualified person in order to avoid a hazard.
- 14 The maximum loading of every shelf is 30kg(for WDF series) or 10kg(for LK series).
- 15 Climate class 3 means 25°C ,RH60%.
- 16 This appliance can be used by children aged from 8 years old and above and persons with reduced physical, sensory or mental capabilities or lack of experience and knowledge if they have been given supervision or instruction concerning use of the appliance in a safe way and understand the hazards involved.
- 17 Children shall not play with the appliance.
- 18 Cleaning and user maintenance shall not be made by children without supervision.

Transportation and handling

- 1 Special package box will be used for the equipment for delivery. Keep the equipment erect during transportation and handling.
- 2 Please carefully check the package box after receiving the product to ensure that the equipment is not damaged during transportation.
- 3 When removing the package box, carefully move away the wood plate in case of scratch the equipment.
- 4 In case that the equipment tilts during the transportation and handling, the lubricant in the compressor may flow into the cooling loop. Therefore, in order to ensure the lubricant flows back to the compressor, it is necessary to keep the equipment erect for 24 hours before it starts to work.
- 5 Do not throw away the package removed randomly. Please dispose as per relevant local rules and regulations.

Installation and operation

- 1 After the equipment is installed, please carefully clean parts in the cabinet .Then wipe clean the bottom cover plate and shelf, put them on corresponding place, close the cabinet door and get it connected to the

power supply.

- 2 Turn on the lighting switch, check light on each shelf is normal.
- 3 The controller is delivered with default parameters. Do not alter the parameters casually except for special need.
- 4 When running for the first time, it should run without load for 2 hours to ensure the refrigeration system is working normally. Only when the temperature within the cabinet is reduced within the indicated scope can the food be put into the cabinet.
- 5 Don't put too much over-hot food in the cabinet to prevent instantaneous high load. The food shall not block the air outlet and air inlet. Nor shall it be close to side glass. Otherwise it will lead to condensation.
- 6 To save electricity, the heating wire switch is defaulted to be closed. If the environment humidity is large, and there is condensation on the front glass, please open it for defogging.
- 7 To keep the taste of the food, please have the equipment running 24 hours a day.
- 8 During the frosting process, the temperature of the cabinet may rise slightly. When the frosting end, it will return to normal .

Maintenance

- 1 In order to ensure food health and quality, please ensure to that the equipment is cleaned frequently.
- 2 Before cleaning, plug off the power supply.
- 3 Use neutral detergent and mild water to clean the cabinet. To get rid of the residual of the detergent, please use clean cloth to wipe repeatedly.
- 4 Clean the dust and sundries on the condenser regularly on monthly basis. Take off the dustproof hood, flush the filtration mesh with clean water and then put it back after being dried-out.
- 5 Do not use any organize solvent (gasoline or alcohol etc.) to clean the equipment. Parts inside the equipment may be damaged. Besides, explosive gas may be generated.
- 6 Wet towel may be used to wipe the equipment surface. However, do not have it contact with water directly.
- 7 After cleaning the equipment, please ensure it is completely dried before using.

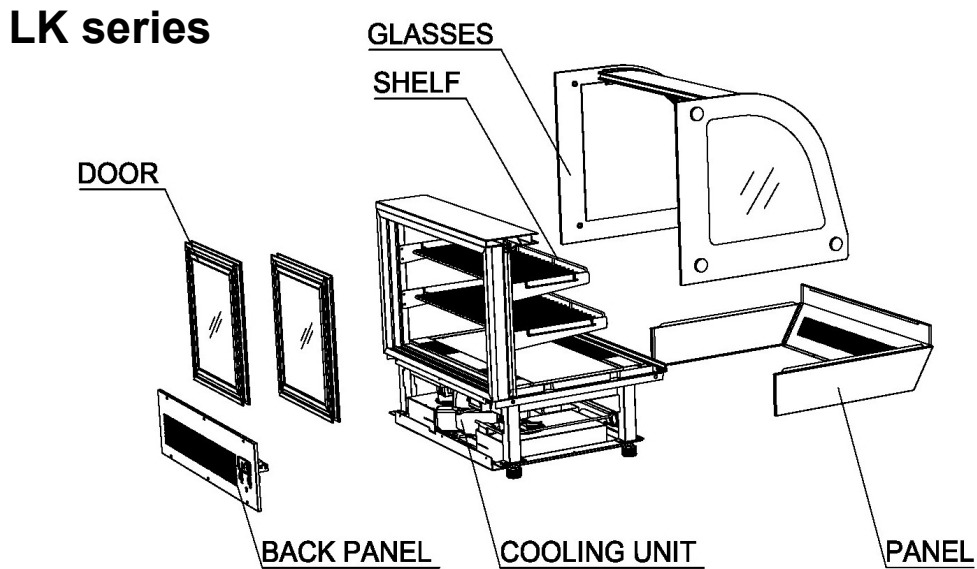
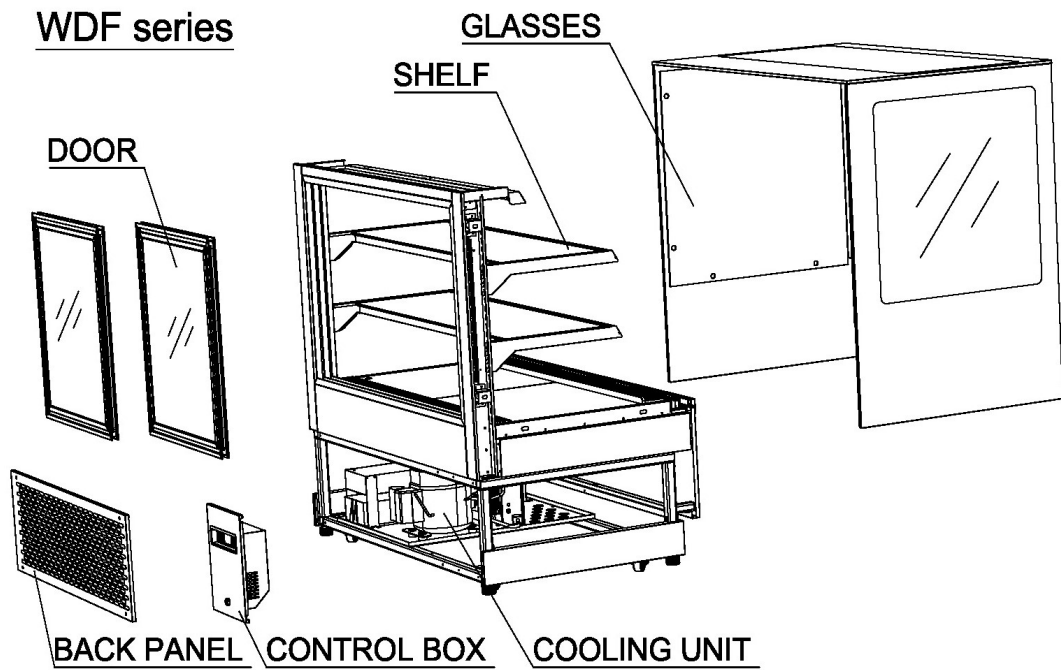
Troubleshooting

Troubles	Causes	Solutions
No power supply input	Poor socket contact	Repair or replace the socket
	Input control wire failure	Repair the failure point
High cabinet temperature	Near a heat source	Move the counter or the heat source
	Frost block	Defrost manually
	Over-inventory in the cabinet which blocks the air outlet and inlet	Take out part of the goods, move them away from the air outlet and inlet
	Refrigerant leaking	Check the leak and refill refrigerant
	Condenser contaminated	Clean the dust-hood
	Fan failure	Repair or replace the fan
	Temperature controller failure	Replace the temperature controller
	Temperature control probe touch the bottom	Replace the position of temperature control probe
Too much noise	The product is not put smoothly	Adjust the feet
	The set screws of fans or compressor are loose	Tighten the screws
The compressor is not running	The voltage is beyond the permitted range	Use a voltage regulator, and connect with the appropriate power supply
	Temperature controller failure	Replace the temperature controller
	The compressor damage	Replace the compressor
The light failure	Switch off or failure	Turn on the switch
	Wire connection is not reliable	Check the plug point
	The light power supply damaged	Replace the light power supply
	light damaged	Replace the light

Note:

1. For simple troubleshooting, please be sure to disconnect the power supply.
2. For the maintenance and replacement work, please call for professionals or the maintenance staff from the refrigeration factory of the manufacturer.
3. If the above methods could not solve the problem, please call for professionals.

Structure diagram

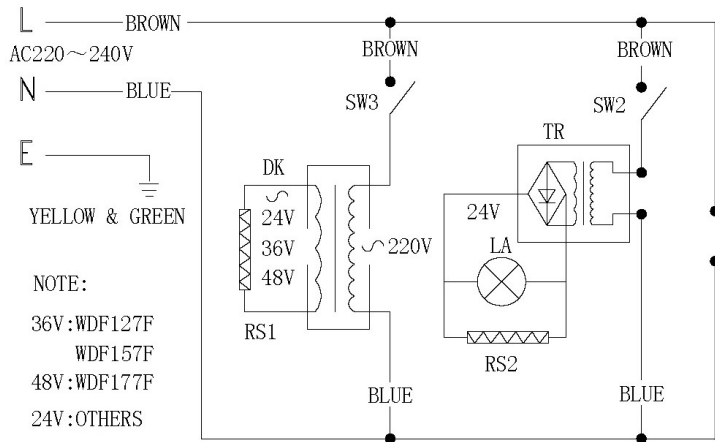
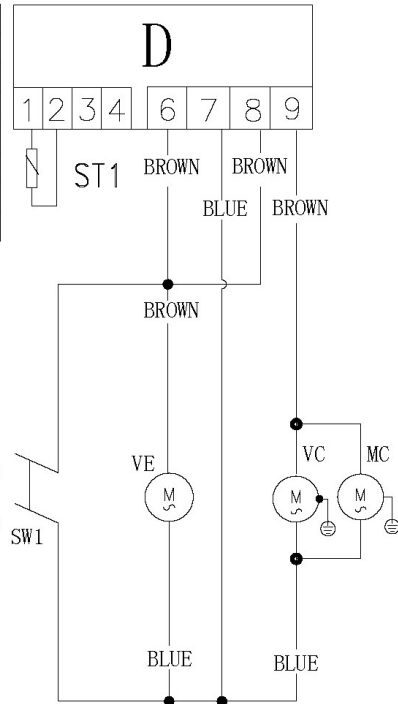


Note: refer to the real object in case of change of the product structure.

Circuit diagram

for WDF series

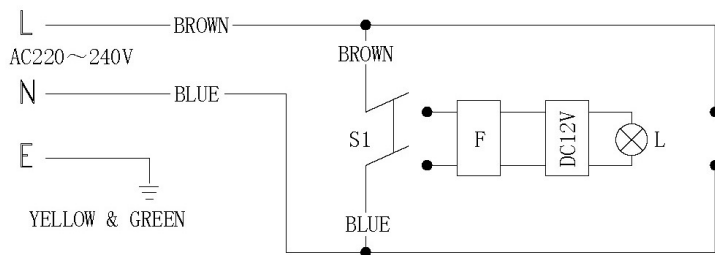
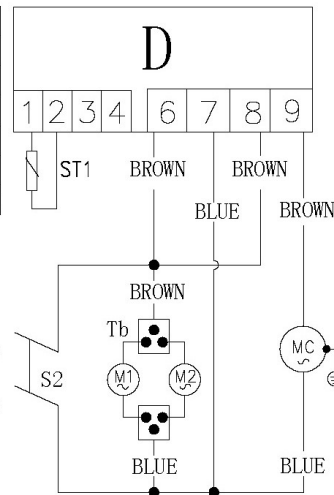
DK	TRANSFORMER		SW1	COMPRESSOR SWITCH	
MC	COMPRESSOR		SW2	LIGHT SWITCH	
TR	STRIP POWER SUPPLY	24V	SW3	DEFOG SWITCH	
LA	STRIP LIGHT		RS1	HEATING WIRE	FRONT GLASS
VE	EVAPORATOR FAN MOTOR		RS2	HEATING WIRE	DOORFRAME
D	MICROCOMPUTER CONTROLLER	XR02CX	VC	CONDENSER FAN MOTOR	
CODE	NAME	REMARK	CODE	NAME	REMARK



NOTE:
 36V:WDF127F
 WDF157F
 48V:WDF177F
 24V:OTHERS

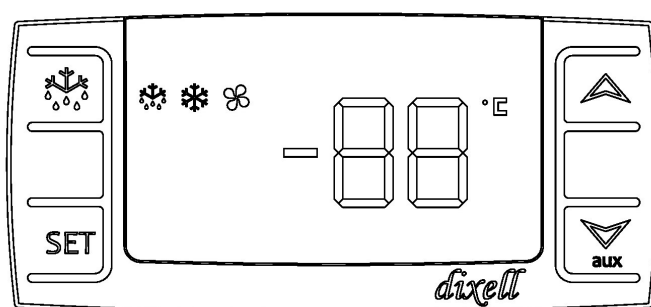
for LK series

S1	LIGHT SWITCH		ST1	ROOM PROBLE	
F	EMI FILTER		Tb	TERMINAL BLOCKS	
DC12V	SWITCH POWER SUPPLY	12V	M1	FAN for EVAP.&COND.	
L	LED LIGHT		M2	FAN for EVAP.&COND.	
S2	COMPRESSOR SWITCH		MC	COMPRESSOR	
D	MICROCOMPUTER CONTROLLER	XR02CX			
CODE	NAME	REMARK	CODE	NAME	REMARK



Note: the part in dotted line box is not applicable to some types. Please refer to the real object for the wiring circuit.

Setting of the digital controller



1 Refer to the digital controller operating manual to see how to use the controller.

2 The setting values for the products as follows:

LABLE	DESCRIPTION	VALUSE	
		WDF series	WT series
SET	Set Point	2°C	2°C
Hy	Differential	3°C	3°C
od	Output action delay at start up	1min	1min
AC	Anti-short cycle delay	5min	4min
CH	Kind of action	cL	cL
rE	Resolution (only for °C)	in	in
id	Interval between def. cycles	6h	3h
Md	Max length for def.	15min	15min

Operation Instruction for Display Cabinet

Major technical parameters

1 These products are designed with climate type 3;

Model	storage temperature (°C)	Power supply	Input power (W)	Refrigerant	Volume (L)	Size L×W×H (mm)
Right-angle Display Case						
WDF097F	0~8	220~240V 50/60Hz	510	R290	311	900×750×1200
WDF127F			700		421	1200×750×1200
WDF157F			800		532	1500×750×1200
WDF177F			900		608	1700×750×1200
Single Arc Display Case						
WDF097D	0~8	220~240V 50/60Hz	510	R290	306	900×750×1350
WDF127D			700		410	1200×750×1350
WDF157D			800		518	1500×750×1350
WDF177D			900		602	1700×750×1350
Oblique-angle Display Case						
WDF097X	0~8	220~240V 50/60Hz	510	R290	269	900×750×1200
WDF127X			700		364	1200×750×1200
WDF157X			800		461	1500×750×1200
WDF177X			900		526	1700×750×1200
Double-arc Display Case						
WDF097S	0~8	220~240V 50/60Hz	510	R290	323	900×750×1350
WDF127S			700		438	1200×750×1350
WDF157S			800		554	1500×750×1350
WDF177S			900		630	1700×750×1350
Double-arc Display Case						
WDF097Z	0~8	220~240V 50/60Hz	510	R290	373	900×750×1350
WDF127Z			700		505	1200×750×1350
WDF157Z			800		638	1500×750×1350
WDF177Z			900		730	1700×750×1350
Square-Countertop Display Case						
WTF120L	2~8	220~240V	242	R290	120	700×560×670
WTF160L		50/60Hz			160	900×560×670
Curved-Countertop Display Case						
WTY110L	2~8	220~240V	242	R290	110	700×560×670
WTY130L		50/60Hz			130	900×560×670

Operation Instruction for Display Cabinet

Right-angle Display Case						
WDF097F	0~8	220~240V 50/60Hz	510	R134a	311	900×750×1200
WDF127F			700		421	1200×750×1200
WDF157F			800		532	1500×750×1200
WDF177F			900		608	1700×750×1200
Single Arc Display Case						
WDF097D	0~8	220~240V 50/60Hz	510	R134a	306	900×750×1350
WDF127D			700		410	1200×750×1350
WDF157D			800		518	1500×750×1350
WDF177D			900		602	1700×750×1350
Oblique-angle Display Case						
WDF097X	0~8	220~240V 50/60Hz	510	R134a	269	900×750×1200
WDF127X			700		364	1200×750×1200
WDF157X			800		461	1500×750×1200
WDF177X			900		526	1700×750×1200
Double-arc Display Case						
WDF097S	0~8	220~240V 50/60Hz	510	R134a	323	900×750×1350
WDF127S			700		438	1200×750×1350
WDF157S			800		554	1500×750×1350
WDF177S			900		630	1700×750×1350
Square-Countertop Display Case						
WSF120L	2~8	220~240V	242	R134a	120	700×560×670
WSF160L		50/60Hz			160	900×560×670
Curved-Countertop Display Case						
WSY100L	2~8	220~240V	242	R134a	100	700×560×670
WSY125L		50/60Hz			125	900×560×670
Square-Countertop Display Case						
WTF120L	2~8	220~240V	242	R134a	120	700×560×670
WTF160L		50/60Hz			160	900×560×670
Curved-Countertop Display Case						
WTY110L	2~8	220~240V	242	R134a	100	700×560×670
WTY130L		50/60Hz			130	900×560×670
Square-Countertop Display Case						
WSF120L	2~8	220~240V	242	R600a	120	700×560×670
WSF160L		50/60Hz			160	900×560×670
Curved-Countertop Display Case						
WSY100L	2~8	220~240V	242	R600a	110	700×560×670

Operation Instruction for Display Cabinet

WSY125L		50/60Hz			130	900×560×670
Right-angle Display Case						
WDF097F	0~8	110~127V 60HZ	510	R290	311	900×750×1200
WDF127F			700		421	1200×750×1200
WDF157F			800		532	1500×750×1200
WDF177F			900		608	1700×750×1200
Single Arc Display Case						
WDF097D	0~8	110~127V 60HZ	510	R290	306	900×750×1350
WDF127D			700		410	1200×750×1350
WDF157D			800		518	1500×750×1350
WDF177D			900		602	1700×750×1350
Oblique-angle Display Case						
WTF120L	2~8	110~127V 60HZ	242	R290	120	700×560×670
WTF160L					160	900×560×670
Curved-Countertop Display Case						
WTY110L	2~8	110~127V 60HZ	242	R290	110	700×560×670
WTY130L					130	900×560×670
Square-Countertop Display Case						
WTF120L	2~8	115V/60Hz	242	R290	120	700×560×670
WTF160L					160	900×560×670
Curved-Countertop Display Case						
WTY110L	2~8	115V/60Hz	242	R290	100	700×560×670
WTY130L					130	900×560×670

Model	storage temperature (°C)	Power supply	Input power (W)	Refrigerant	Volume (L)	Size L×W×H (mm)
Curved-Countertop Display Case						
LincatCT 900mm	2~8	220~240V 50/60Hz	242	R290	130	900×560×670
700225	2~8	220~240V 50/60Hz	242	R290	130	900×560×670
432610120	2~8	220~240V 50/60Hz	242	R290	120	700×560×670
CCR30C	2~8	115V/60Hz	242	R290	100	700×560×670
CCR36C					130	900×560×670

Operation Instruction for Display Cabinet

TR-COLDTOP -110	2~8	220~240V 50/60Hz	242	R290	100	700×560×670
TR-COLDTOP -130					130	900×560×670
GCT30CR	2~8	115V/60Hz	242	R290	100	700×560×670
GCT36CR					130	900×560×670
LK CT120L	2~8	220~240V 50/60Hz	242	R290	100	700×560×670
LK CT140L					130	900×560×670
CRDC-35	2~8	115V/60Hz	242	R290	100	700×560×670
CRDC-46					130	900×560×670
TC-CDC-700	2~8	220~240V 50/60Hz	242	R290	110	700×560×670
TC-CDC-900					130	900×560×670
CPD90	2~8	220~240V 50/60Hz	242	R290	323	900×750×1350
TC-CDC-700	2~8	220~240V 50/60Hz	242	R134a	110	700×560×670
TC-CDC-900					130	900×560×670
Square-Countertop Display Case						
CQT30C	2~8	115V/60Hz	242	R290	120	700×560×670
CQT36C					160	900×560×670
GCT30CF	2~8	115V/60Hz	242	R290	120	700×560×670
GCT36CF					160	900×560×670
LKS T120L	2~8	220~240V 50/60Hz	242	R290	120	700×560×670
LKS T140L					160	900×560×670
BTS120L	2~8	220~240V 50/60Hz	242	R290	120	700×560×670
BTS160L					160	900×560×670
GRDS-42	2~8	115V/60Hz	242	R290	120	700×560×670
GRDS-56					160	900×560×670
TC-RDC-700	2~8	220~240V 50/60Hz	242	R290	120	700×560×670
TC-RDC-900					160	900×560×670
RDS700	2~8	220~240V 50/60Hz	242	R290	120	700×560×670
RDS900					160	900×560×670
FGD90	2~8	220~240V 50/60Hz	242	R290	269	900×750×1200
TC-RDC-700	2~8	220~240V 50/60Hz	242	R134a	120	700×560×670
TC-RDC-900					160	900×560×670
WTF-1	2~8	220~240V 50/60Hz	242	R600a	120	700×560×670
WTF-2					160	900×560×670

Operation Instruction for Display Cabinet

LKS T130L	2~8	220~240V	242	R600a	120	700×560×670
LKS T170L		50/60Hz			160	900×560×670
RDS700	2~8	220~240V	210	R600a	120	700×560×670
RDS900		50/60Hz			160	900×560×670
RDC700	2~8	220~240V	210	R600a	100	700×560×670
RDC900		50/60Hz			125	900×560×670

2 These products are designed with electric shock protection type I.



Disposal of the product

This marking indicates that this product should not be disposed with other household wastes throughout the EU. To prevent possible harm to the environment or human health from uncontrolled waste disposal, recycle it responsibly to promote the sustainable reuse of material resources. To return your used device, please use the return and collection systems or contact the retailer where the product was purchased. They can take this product for environmental safe recycling.

Warranty Information

The manufacturer provides warranty in accordance with the legislation of the customer's own country of residence, with a minimum of 1 year, starting from the date on which the appliance is sold to the end user.

The warranty only covers defects in material or workmanship.

The repairs under warranty may only be carried out by an authorized service centre. When making a claim under the warranty, the original bill of purchase (with purchase date) must be submitted.

The warranty will not apply in cases of:

- Normal wear and tear
- Incorrect use, e.g. overloading of the appliance, use of non-approved accessories
- Use of force, damage caused by external influences
- Damage caused by non-observance of the user manual, e.g. connection to an unsuitable mains supply or non-compliance with the installation instructions
- Partially or completely dismantled appliance

W081551110